

TABLE OF CONTENTS

SECTION

- 1) SMR DELTA 20 MIN. FRAMES
- 2) DELTA PLUS 45, 60, 90 MI
- 3) 200 SERIES GLAZING
- 4) 300 SERIES GLAZING
- 5) WALL COMPONENTS
- 6) INSTALLATION INSTRUCTIONS
- 7) SPECIFICATIONS
- 8) ORDERS AND PRICING

LIMITED WARRANTY

Modulex warrants to the original consumer purchaser that all its Modulex Delta Aluminum Door and Window Frames, when utilized for interior frame use, will be free from defects in material workmanship for a period of one year from the date of purchase.

This warranty is applicable only when the products covered by it:

- 1) Have been installed in accordance with the recommended written installation instructions of Modulex and with established building practices.
- 2) Have been accorded treatment which is considered good practice in the Building Industry regarding storage and maintenance.
- 3) Have been subjected only to normal use because Modulex cannot control the manner in which its products are handled after leaving its premises.
- 4) This warranty does not apply to the finish or accessories of any product, and shall not apply to any frame exposed to a corrosive or humid environment.

ANY AND ALL IMPLIED WARRANTIES APPLICABLE HERETO ARE LIMITED TO ONE YEAR FROM THE DATE OF PURCHASE. Any repair or replacement made pursuant to this warranty is guaranteed for a period of the greater of the expiration warranty period or thirty (30) days. Some states do not allow limitations on how long an implied warranty lasts so the above time limitation may not apply to you.

In the event the original consumer purchaser of any Modulex Aluminum Door or Window Frame believes that the frame or any parts thereof covered by this warranty is defective, a letter outlining the alleged defects should be sent postage prepaid to the following address:

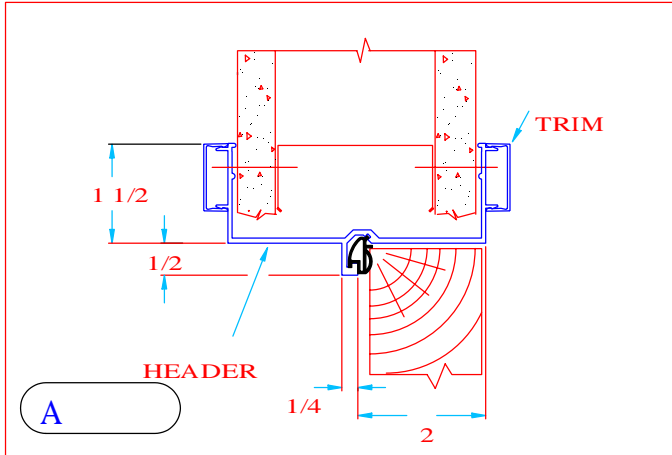
MODULEX
4944 Boylan Rd
Bakersfield, Ca 93314

Any Modulex Delta Aluminum Door or Window Frame or any parts thereof covered by this warranty which, upon inspection by an authorized Representative of Modulex are found by said Representative to be defective, will at the option of Modulex be either repaired, replaced or the purchase price of the frame or component part refunded. Liability is limited to repair, replacement or refund and does not include labor, installation cost, or indirect or consequential damages of any nature. Some states do not allow the exclusion or limitation of incidental or consequential damages, so the above limitation or exclusion, set forth in this paragraph, may not apply to you.

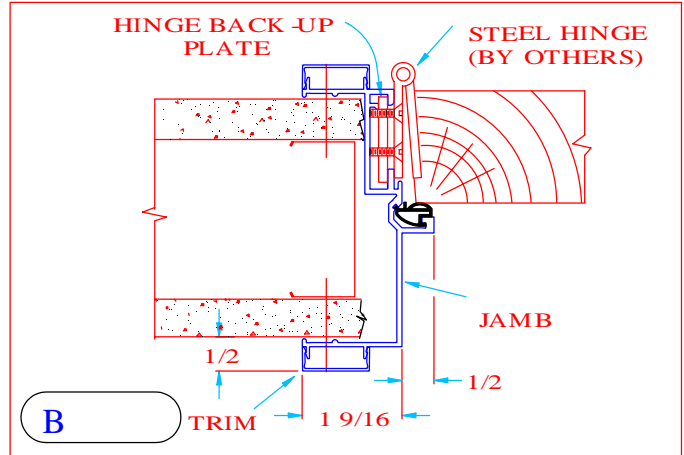
Any dispute with respect to this warranty shall be resolved by binding arbitration between the parties in accordance with the Rules of the American Arbitration Association.

This warranty gives you specific legal rights, and you may also have other rights, which vary, from state to state.

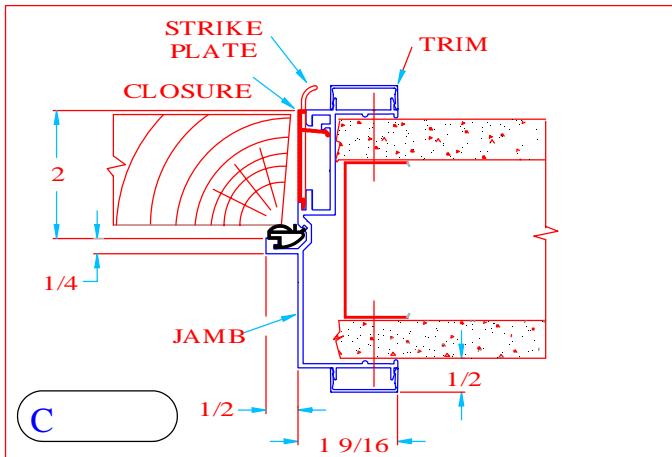
CROSS SECTIONS FOR SMR DELTA DOOR FRAME



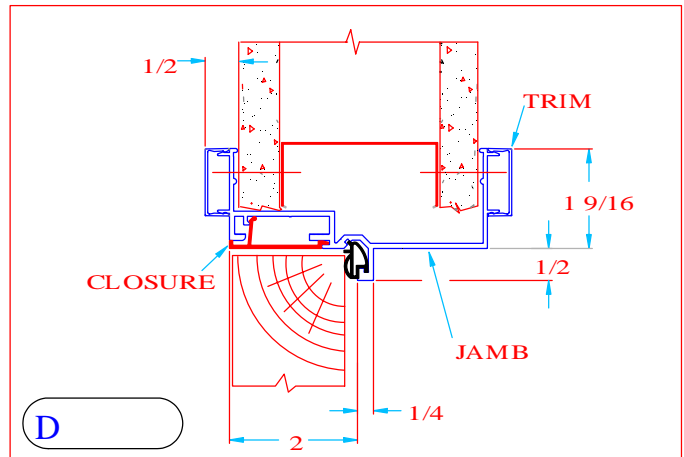
HEADER



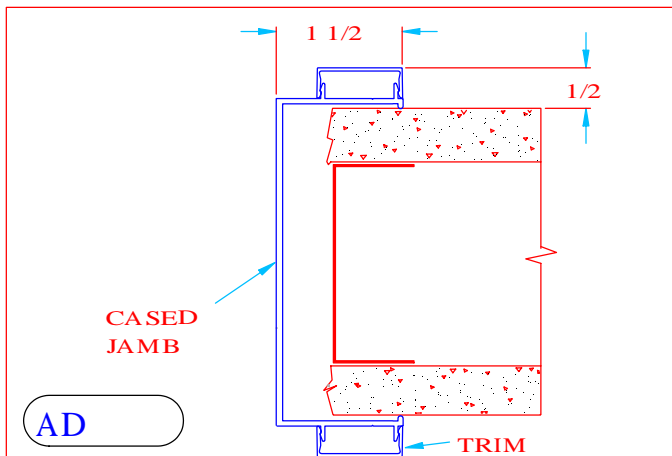
HINGE JAMB



STRIKE JAMB



HEADER-ALT.



CASED JAMB

DELTAPLUS Fire Rated Steel/Aluminum Frame

MODULEX is pleased to introduce the DELTAPLUS fire rated steel/aluminum door and window frame system.

45, 60 AND 90 MINUTE FIRE RATING

The DELTAPLUS door frame is available for 45, 60 and 90 minute fire rated conditions. The DELTAPLUS sidelights, borrowed lites, and glazed transoms qualify for 45 and 60 minute fire ratings.

STEEL FRAME/ALUMINUM TRIM

The DELTAPLUS is a prefinished steel doorframe constructed of 18 gauge cold rolled steel. The frame is complemented by any of three choices of Delta aluminum trim styles: Standard, Full Face, and Radius. The result is the DELTAPLUS, a frame that combines the beauty of the 20 minute fire rated Delta aluminum frame with the added fire rating capability of steel.

PAINT/ANODIZE

Offered in a standard color of Silver Metallic Paint and Clear Anodize, the DELTAPLUS can also be painted to match any color. Now, you can order your frames from one source, regardless of fire rating requirements, and know that you will receive the quality, service and value that Modulex and Delta are known for.

DELTA PLUS 45, 60 & 90 MIN. FIRE RATED FRAME ASSEMBLIES

SINGLE FRAMES

Rating	Max. Opening Size		Wall Size	
	Width	Height	Min.	Max.
20 Min.	See standard SMR Delta Frames			
45 Min. "C" Label	4/0	9/0	3-3/8"	13"
90 Min. "B" Label	4/0	9/0	3-3/8"	13"

PAIR FRAMES

Rating	Max. Opening Size		Wall Size	
	Width	Height	Min.	Max.
20 Min.	See standard SMR Delta Frames			
45 Min. "C" Label	6/0	9/0	3-3/8"	13"
	8/0	8/0	3-3/8"	13"
90 Min. "B" Label	6/0	9/0	3-3/8"	13"
	8/0	8/0	3-3/8"	13"

SIDELIGHTS / RELIGHTS / TRANSOM

Glass Stop Size	Rating	Max Assembly Size 10'-1" W x 10'-1" H		Wall Size		Max Glass Area
		Width	Height	Min	Max	
1/2	45 Min.	24"	107"	3-3/8"	13"	*2568 Sq. In.
**1/2	45 Min.	36"	54"	3-3/8"	13"	1296 Sq. In.
No Stop						
3/4	45 Min.	36"	54"	3-3/8"	13"	1296 Sq. In.
Glass Stop Size	Rating	Max Assembly Size		Wall Size		Max Glass Area
		Width	Height	Min	Max	
1/2	20 Min.	36"	36"	3-3/8"	13"	1296 Sq. In.
***1/2	60 Min.	36"	36"	3-3/8"	13"	1296 Sq. In.

Do not exceed maximum assembly size.

* Most building codes limit glass area to 1296 sq. in.

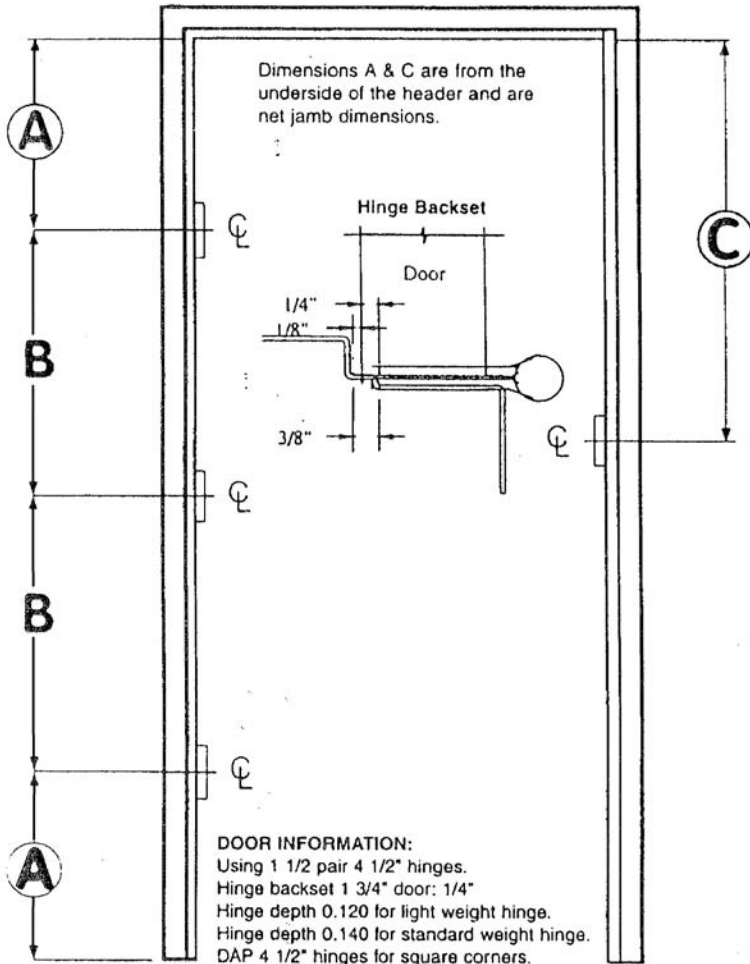
Do not exceed 1296 sq. in. without verifying with local code authorities prior to specifying or ordering.

** Must be caulked using 100% Pure Silicone Sealant.

*** Must use Firelite® glazing and install in a 5/8" wide glazing recess with 100% Pure Silicone Sealant.

Prefit Specifications: Frame Hinge and Strike Locations 1 3/4" with 3 Each 4 1/2" Hinges

NOTE: When using this chart for premachining door measurements, reduce the A & C dimensions 3/32" each for door clearance.

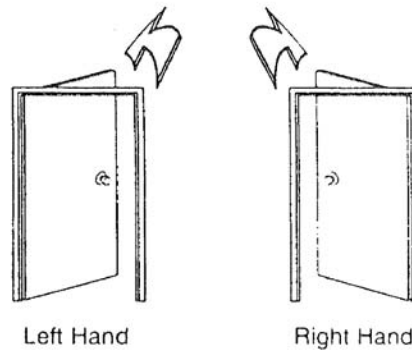
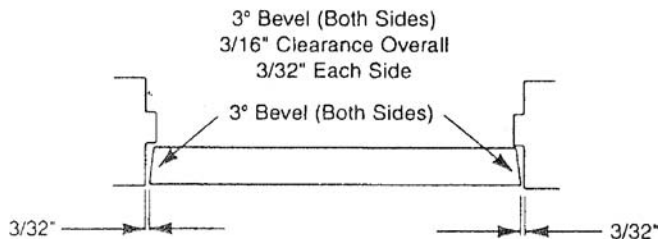


Net Frame Dimensions

+ HEIGHT	A	B	C
5-0	10-19/32	19-1/2	20-3/32
5-1	10-19/32	20	21-3/32
5-2	10-19/32	20-1/2	22-3/32
5-4	10-19/32	21-1/2	24-3/32
6-0	10-19/32	25-1/2	32-3/32
6-8	10-19/32	29-1/2	40-3/32*
6-9	10-19/32	30	41-3/32
	10-19/32	30	40-19/32*
7-0	10-19/32	31-1/2	44-3/32
	10-19/32	31-1/2	42-3/32*
7-4	10-19/32	33-1/2	48-3/32
7-6	10-19/32	34-1/2	50-3/32
7-8	10-19/32	35-1/2	52-3/32
7-10	10-19/32	36-1/2	54-3/32
8-0	10-19/32	37-1/2	56-3/32
8-4	10-19/32	39-1/2	60-3/32
8-6	10-19/32	40-1/2	62-3/32
8-8	10-19/32	41-1/2	64-3/32
8-10	10-19/32	42-1/2	66-3/32
9-0	10-19/32	43-1/2	68-3/32
10-0	10-19/32	49-1/2	80-3/32

*Reversible - Frame can be used as Left or Right Hand, swing in or out

+ Frame Heights are 3/16" longer than call out door height unless ordered net. (3/32" top, 3/32" bottom for clearance).

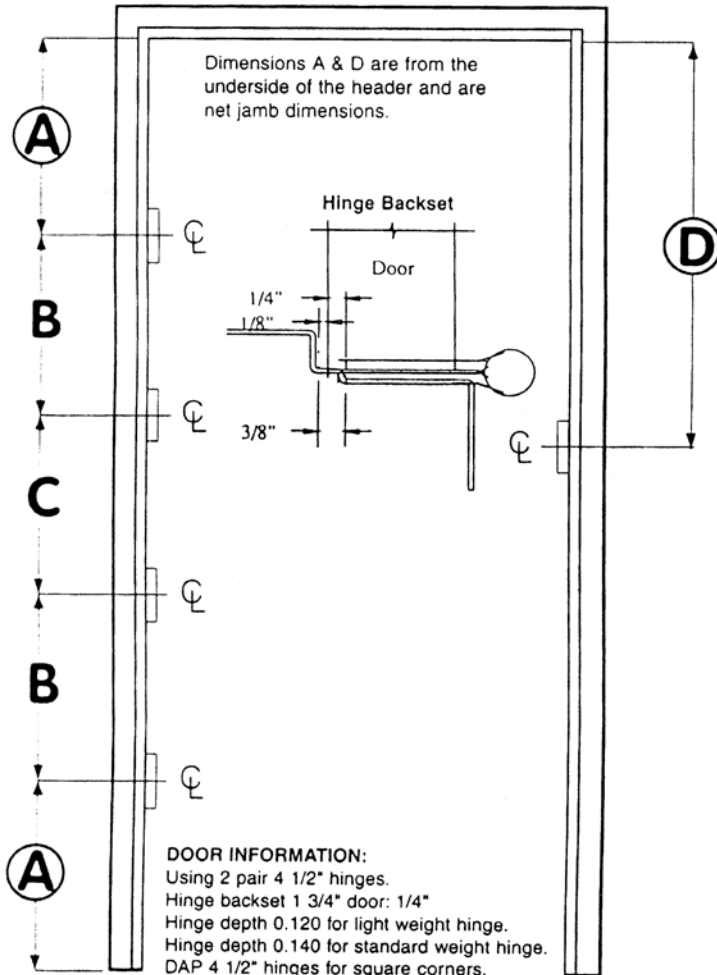


Handing Information
 To establish handing always Push the door away from you.

FOR SPECIFICATIONS NOT SHOWN, PLEASE CONSULT OFFICE.

Prefit Specifications : Frame Hinge and Strike Locations 1 3/4" with 4 Each 4 1/2" Hinges

NOTE: When using this chart for premachining door measurements, reduce the A & D dimensions 3/32" each for door clearance.

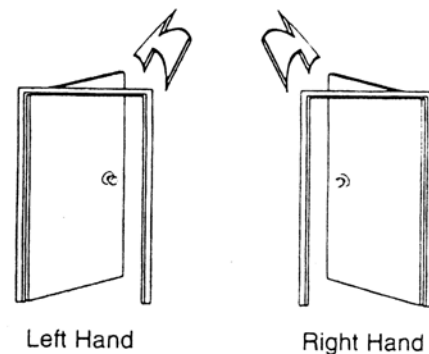
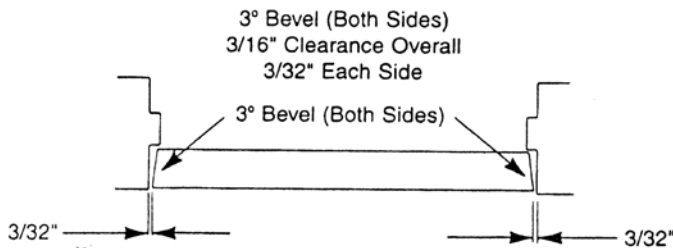


Net Frame Dimensions

+ HEIGHT	A	B	C	D
6-0	10-19/32	17	17	32-3/32
6-8	10-19/32	19-1/2	20	40-3/32*
6-9	10-19/32	20	20	41-3/32
	10-19/32	20	20	40-19/32*
6-10	10-19/32	20-1/4	20-1/2	42-3/32
7-0	10-19/32	21	21	44-3/32
	10-19/32	21	21	42-3/32*
7-2	10-19/32	21-1/2	22	46-3/32
7-4	10-19/32	22-1/4	22-1/2	48-3/32
7-6	10-19/32	23	23	50-3/32
7-8	10-19/32	23-1/2	24	52-3/32
7-10	10-19/32	24-1/4	24-1/2	54-3/32
8-0	10-19/32	25	25	56-3/32
8-2	10-19/32	25-1/2	26	58-3/32
8-4	10-19/32	26-1/4	26-1/2	60-3/32
8-6	10-19/32	27	27	62-3/32
8-8	10-19/32	27-1/2	28	64-3/32
8-10	10-19/32	28-1/4	28-1/2	66-3/32
9-0	10-19/32	29	29	68-3/32
9-4	10-19/32	30-1/4	30-1/2	72-3/32
9-8	10-19/32	31-1/2	32	76-3/32
10-0	10-19/32	33	33	80-3/32

*Reversible - Frame can be used as Left or Right Hand, swing in or out

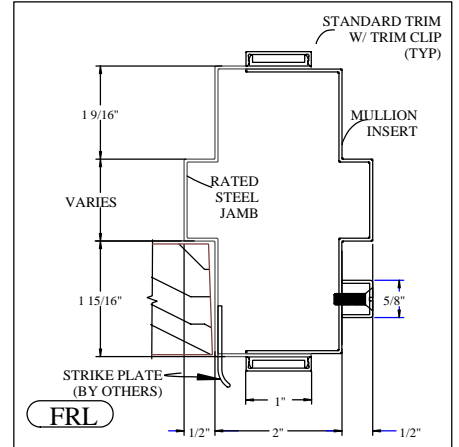
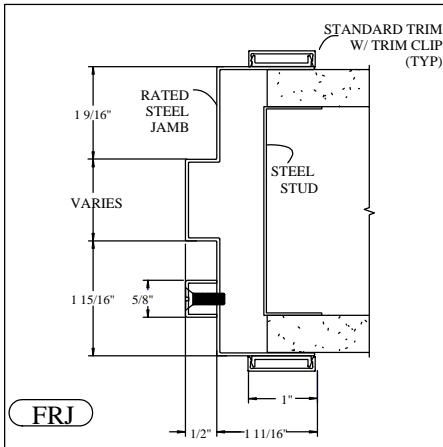
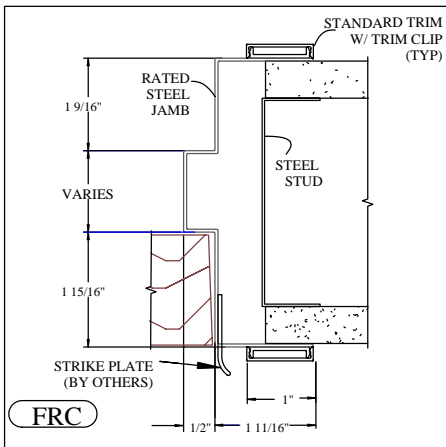
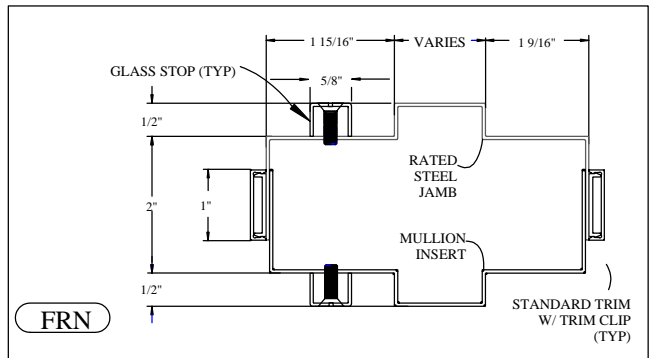
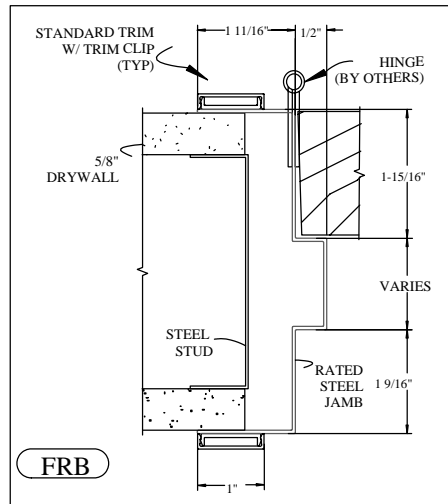
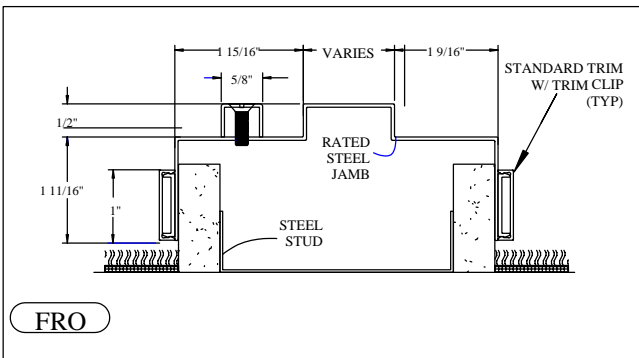
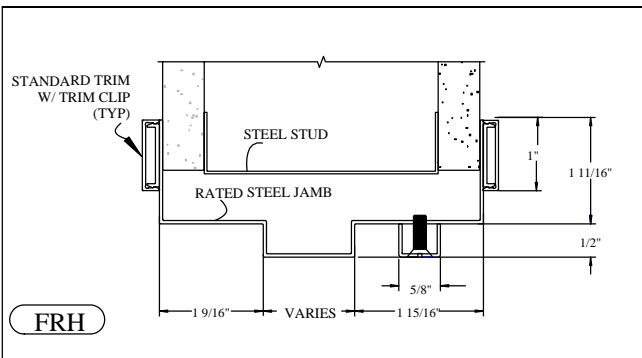
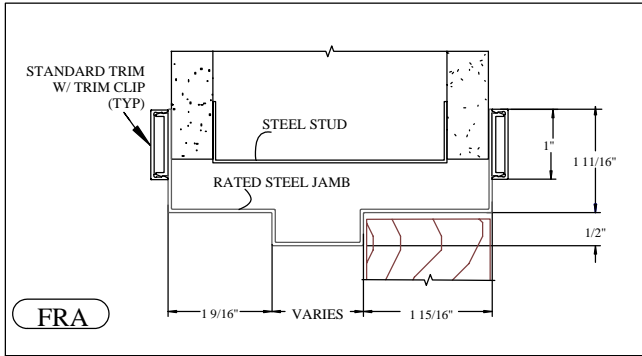
+ Frame Heights are 3/16" longer than call out door height unless ordered net. (3/32" top, 3/32" bottom for clearance).



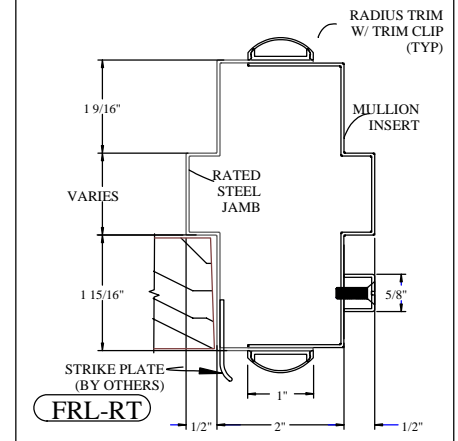
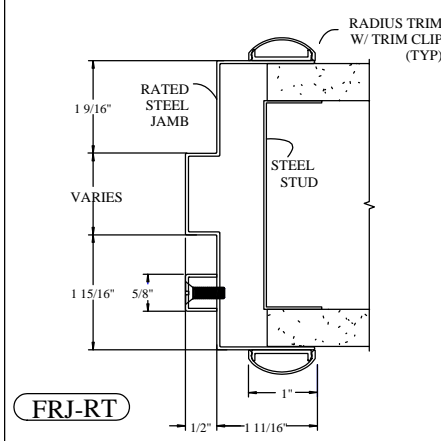
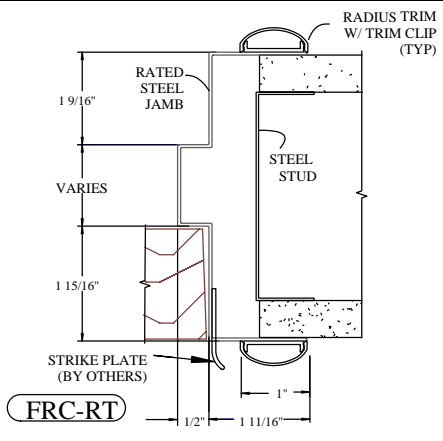
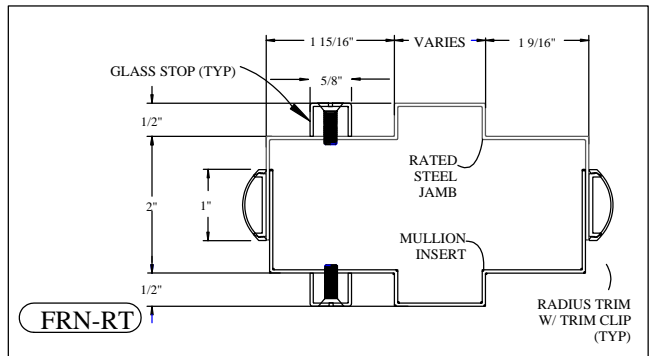
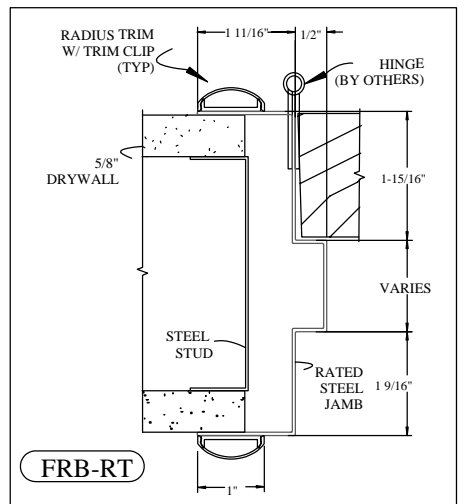
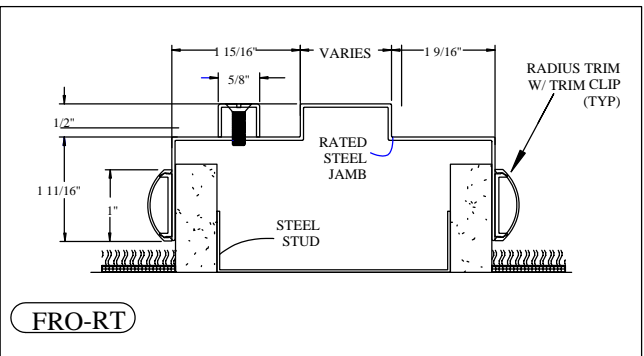
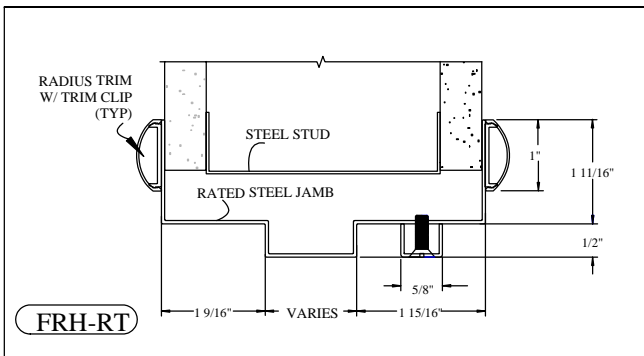
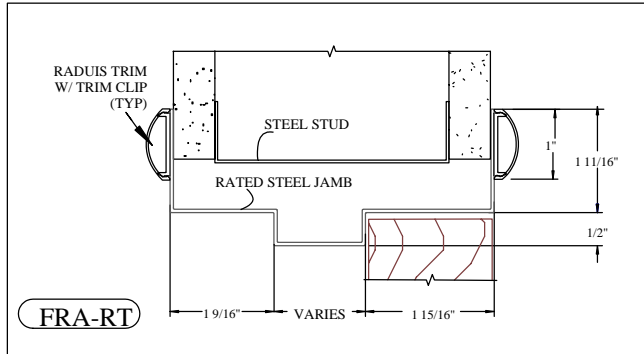
Handing Information
 To establish handing always **Push** the door away from you.

FOR SPECIFICATIONS NOT SHOWN, PLEASE CONSULT OFFICE.

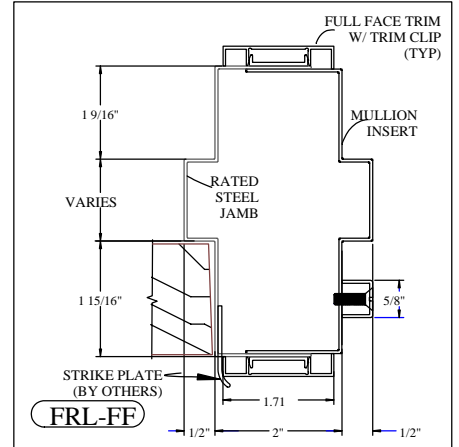
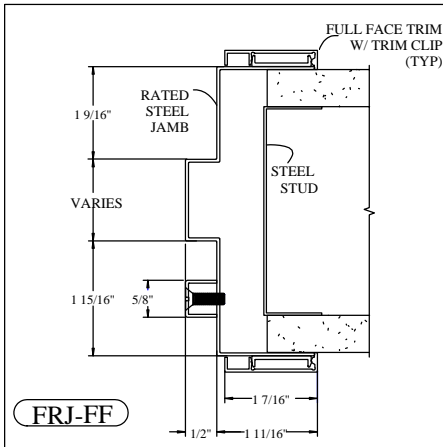
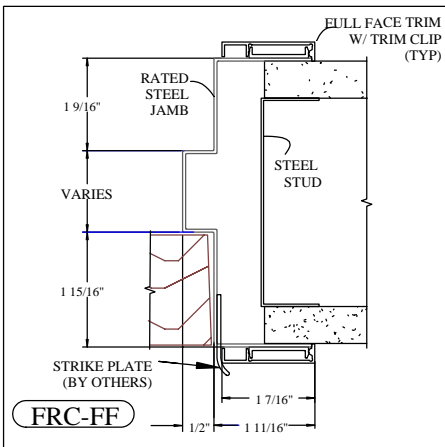
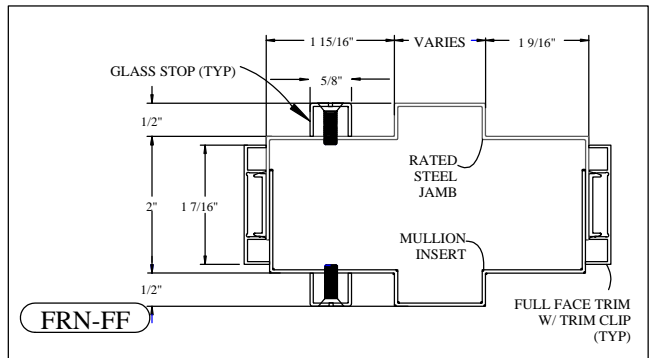
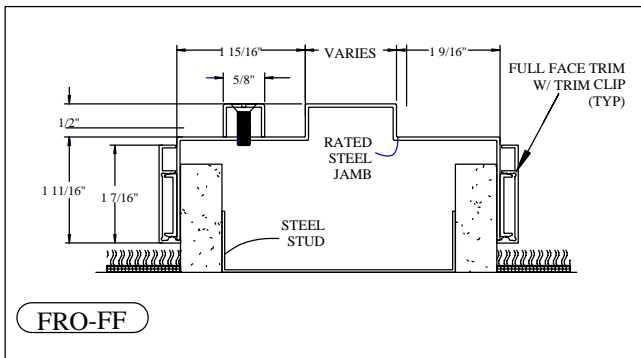
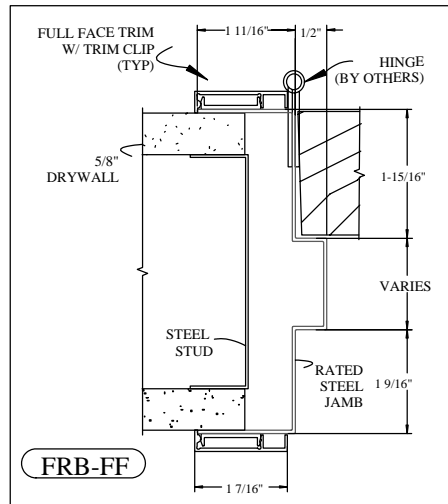
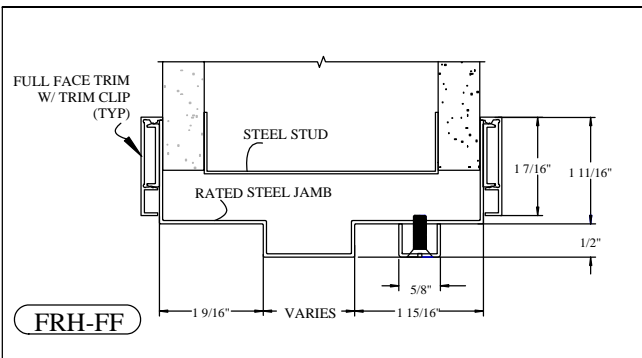
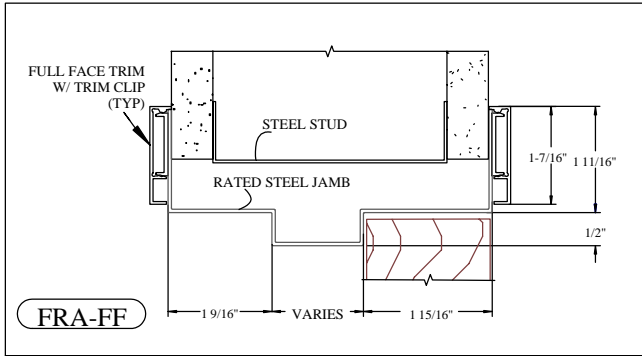
DELTA PLUS 45, 60 & 90 MIN. FIRE RATED CROSS SECTIONS WITH STANDARD TRIM



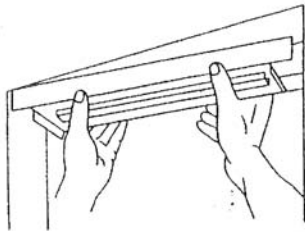
DELTA PLUS 45, 60 & 90 MIN. FIRE RATED CROSS SECTIONS WITH RADIUS TRIM



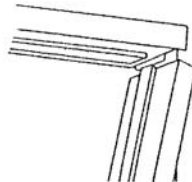
DELTA PLUS 45, 60 & 90 MIN. FIRE RATED CROSS SECTIONS WITH FULL FACE TRIM



Installation Instructions: DELTAPlus Frame Installation Checklist



1. Check opening for proper swing, then sleeve header over the wall.

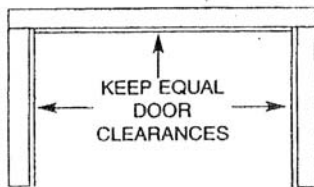


2. Hold jambs at an angle and sleeve the upper portions over the wall. Push upward to engage the jamb tops into the space between the aligning tabs and door stop of the header then sleeve the rest of the jambs completely over the wall. Rotate jambs if wall fit is snug.

3. Pull down on header to bring entire frame down to the finished floor. If carpeting is used, the base on which it is to be laid shall be considered the finished floor. For other floor coverings (Hardwood flooring, tile, etc.), the frame may be raised to rest on blocking of the same thickness as the flooring to be used.

After frame is attached, the blocking can be removed to allow the floor covering to be slipped underneath.

DO NOT FASTEN FRAME YET!



4. Hang prefit door and close into opening. Use door to square opening and adjust frame sections to door to achieve equal clearances between door and frame.

Installation without the use of the door will void the warranty.

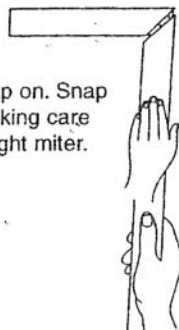
FASTENING PROCEDURE

5. Fasten hinge side first with fasteners (dry wall screws) at all hinge locations and follow with fasteners 11 inches on center on the hinge jamb. Then proceed to fasten header, starting at the hinge side and across to strike side (be sure to bring header down into firm contact with jamb tops). Secure head section to jambs with the four (4) steel Corner Clips provided, using 1/2" Type S-12 pan head screws. The long leg of the clip attaches to jamb leg and fits snugly between extruded trim projections. When fastening strike jamb continue to check for uniform clearance.

WHEN FASTENING FRAME ON BACKSIDE BE SURE THAT JAMBS ARE NOT COCKED OR OUT OF LINE.

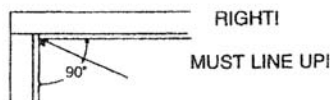
FIRE RATED FRAMES REQUIRE ONE FASTENER EVERY 11 INCHES (+/- 1/4").

6. ATTACH TRIM
 Align trim equidistant on header and snap on. Snap on Jamb trim taking care to position for tight miter.



SOME MODULEX TIPS FOR GOOD INSTALLATIONS

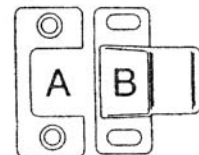
7. For good trim miters, header ends MUST line up evenly with jamb edges.



IMPORTANT
 MAINTAIN 90° ANGLE. DO NOT ALLOW GAP TO SHOW WHERE HEADER MEETS UPRIGHT.

Always install the door and frame together

When installing adjustable strike, fit place "A" over "B" cup section and screw into prepunched holes of strike emboss; close door into opening and push "B" section inward until door fits snugly; the open door and tighten screws firmly.



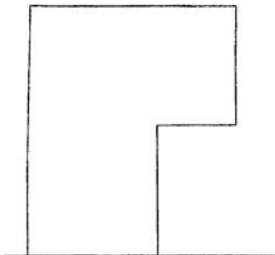
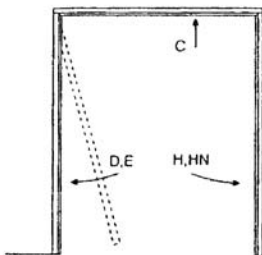
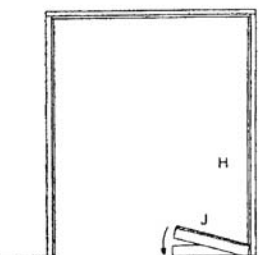
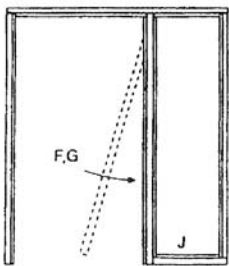
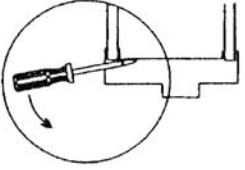
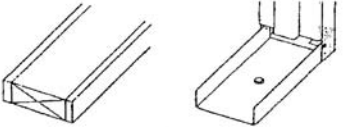
SILENCERS

Application temperature range: 50°F to 100°F. To obtain maximum adhesion, surfaces must be clean, dry, free of grease, wax, oil, dust and other foreign material which might affect adhesion. Clean surfaces with low strength solvents such as isopropyl alcohol or heptane.

Installation Instructions: DELTAPlus Frame Tips and Precautions

1. Check rough opening. Dimensions are nominal door width + 1¼" and jamb height + 1".
2. Check for correct wall thickness.
3. Check for correct hardware preparation and reinforcement. Use closer reinforcement if necessary.
4. Use screws instead of nails so frame can be adjusted if necessary.
5. Use a template door or the actual door to align the frame.
6. Headers and uprights must fit tightly together at 90° angle so trim miters will form perfect 45° angles with no gaps.
7. Apply fasteners 11 inches on center on both sides of the frame, required for fire rating. Fire inspectors may reject frames with inadequate fasteners.
8. To comply with U.B.C. 7-2 97 Positive Pressure the following requirements must be met:
 - Maximum size of opening is 8-0 x 9-0
 - Minimum #6 drywall screws space at 11+¼" and 2" from any end, on both sides
 - Length of screws must be sufficient to penetrate into steel stud by at least ½" and into wood stud at least 1"
 - Minimum wall thickness is 3½"
 - A wood door or steel stiffened fire rated positive pressure steel door must be used. For a wood door use Pemko HSS2000 or equal, or an approved concealed system.
 - See gasketing or door manufacturing installation instructions.
9. Field painted frames must be thoroughly cleaned to remove any substances that would inhibit paint adhesion. Light sanding with Scotchbrite is recommended. Acrylic water based paints require a prime coat and must be tested in advance for compatibility.
10. When applying adhesive backed gasket, frame must be thoroughly cleaned with TSP or similar detergent taking care not to leave a residue.

Installation Instructions: DELTAPlus Sidelite

 <p>1. Check rough opening. Width is nominal door dim. + sidelite + 2" for each mullion + 1/4". Height is jamb height + 1". If using transom, height is jamb height + transom height + 2" for mullion + 1".</p>	 <p>2. Sleeve header with mullion bracket applied, (c) over wall, then sleeve outside jamba (either D, E, H, or HN) over wall. All parts must have mullion brackets installed where required.</p>	 <p>3. Install stud with drywall (1) or insert material to finished floor (2).</p>
 <p>4. Slide mullion(s) over bracket at head swinging into place over sill (J). All intermediate mullions (if used) must be positioned before swinging last mullion into place (see "mullions" section below)</p>	 <p>5. Level and center head, fasten hinge jamb, then hang door in opening. Position jamb(s) and/or mullion(s) to maintain equal clearance around door.* When parts are set, fasten jamb(s) to wall. Fasten mullion(s) to sill (J) using tek screw.</p>	 <p>Slide sill (J) over floor stud or insert and interlock alignment tab with side jamb (H). Raise jamb as necessary to allow clearance for the tab.</p> <p>6. Move parts toward mullion to get all joints tight. Glass area should be square when all pieces are tight. Apply fasteners on both sides of frame.</p>
<p>7. Align trim equidistant on header and snap on.</p>	<p>*Warranty is voided if door is not installed with frame.</p> <p>8. Apply jamb trim in the same manner. Then apply all mullion trim and finally sidelite sill trim.</p>	<p>9. Apply silencers to the strike side. Install hardware on door and install adjustable strike (if provided) to keep door tight to jamb when closed. Install other hardware using necessary reinforcements provided.</p>



TA-41 Glass Stop Dimpler Tool - Used to meet 2" fire rating requirements

MULLIONS

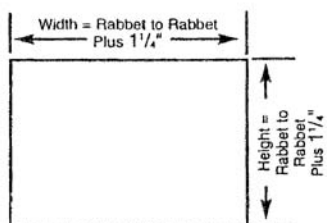
1. Before placing jamb pieces in opening, locate and apply mullion brackets as required. Sleeve jambs over walls, but do not fasten.
2. Start at one end of the assembly and place mullions over brackets. If horizontal mullions are used they must be placed on the jamb then on the vertical mullion as it is tipped into position.
3. When all mullions are in place the jambs should be brought tight to the mullion.
4. When mullions are in place and joints are tight proceed with anchoring as shown on the instructions.

See other side for additional information

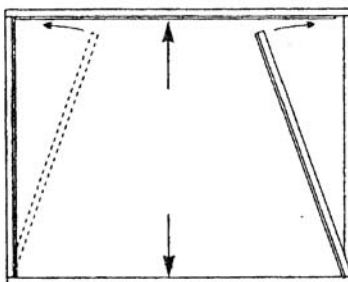
Installation Instructions: DELTA***Plus*** Sidelite Tips and Precautions

1. Check for correct rough opening dimensions.
2. Check for correct wall thickness.
3. Check for correct hardware preparation and reinforcement.
Use closer reinforcement if necessary.
4. Use screws instead of nails so frame can be adjusted if necessary.
5. Use a template door or the actual door to align the frame.
6. Headers and uprights must form a 90° angle so casing miters will form perfect 45° angles with no gaps.
7. Apply fasteners 11 inches on center on both sides of the frame, required for fire rating.
Fire inspectors may reject frames with inadequate fasteners.
8. Field painted frames must be thoroughly cleaned to remove any substances that would inhibit paint adhesion. Light sanding is recommended.
Adhesion of water based paints is not guaranteed.
9. When applying adhesive backed gasket, frame must be thoroughly cleaned.
10. Glass stop must be pierced and dimpled a maximum of 2" from each end for anchorage to maintain fire ratings.

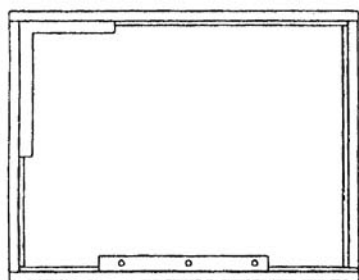
Installation Instructions: DELTAPlus Borrowed Lite



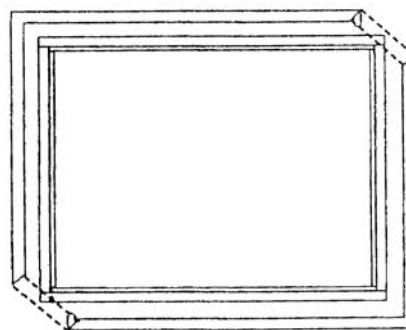
1. Check rough opening. Dimensions are Rabbet to Rabbet + 1 1/4\".



2. Sleeve bottom sill over wall, then top header. Sleeve both jambs over wall and interlock jambs with tabs on header and sill. If using mullions, see mullion instructions below.



3. Level bottom sill and fasten. Using a square, align both side jambs to bottom sill to form square corners. Fasten sides 11\" on center. Pull top header tight to jambs and fasten. Anchor both sides of the frame keeping all joints tight and corners at 90° angles. Apply fasteners 2\" from each end and no more than 11\" on center.



4. Align trim equidistant on header/sill and snap on. Snap on jamb trim and check for tight fit at miters.



TA-41 Glass Stop Dimpler Tool
 Use to meet 2\" fire rating requirements.

MULLIONS

1. Before placing jamb pieces in opening, locate and apply mullion brackets as required. Sleeve jambs over walls, but do not fasten.
2. Start at one end of the assembly and place mullions over brackets. If horizontal mullions are used they must be placed on the jamb then on the vertical mullion as it is tipped into position.
3. When all mullions are in place the jambs should be brought tight to the mullion.
4. When mullions are in place and joints are tight proceed with anchoring as shown on the instructions.

Installation Instructions: **DELTAPlus Borrowed Lite**
Tips and Precautions

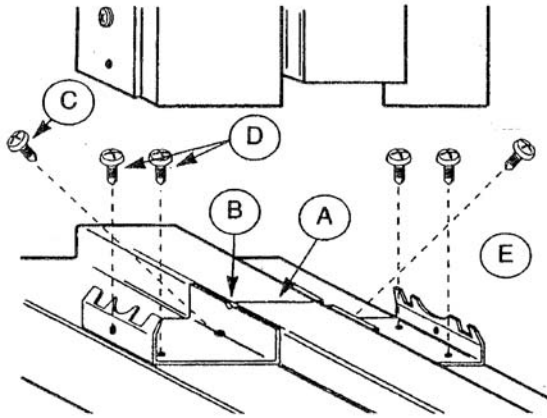
1. Check for correct rough opening dimensions.
2. Check for correct wall thickness.
3. Use screws instead of nails so frame can be adjusted if necessary.
4. Field painted frames must be thoroughly cleaned to remove any substances that would inhibit paint adhesion. Light sanding is recommended. Adhesion of water based paints is not guaranteed.

FIRE RATED OPENING REQUIREMENTS

1. Labeled glass.
2. Glass stop must be pierced and dimpled a maximum of 2" from each end for anchorage.
3. Glazing compound required (Fire rated Silicone Sealant required for use with Firelite glass).
4. Maximum clearance : 1/4" overall for Firelite.
5. Either floor channel can be ordered from the factory or drywall applied on both sides to a steel or wood stud to meet label requirements.
6. Apply fasteners 11 inches on center on both sides (full perimeter of frame). Fire inspectors may reject frames with insufficient fasteners.

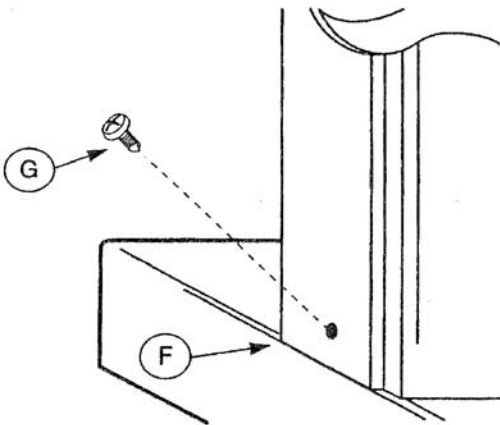
Installation Instructions: Mullion Bracket

1. BRACKET INSTALLATION



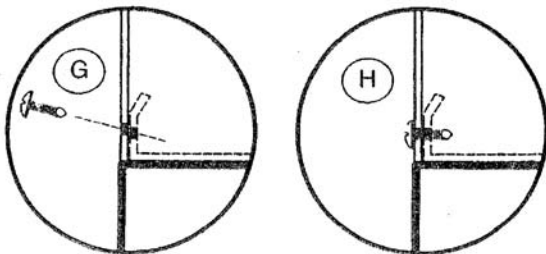
- (A) Establish a center line for mullion and scribe a line across the door stop
- (B) Align the "V" notch in the mullion bracket with the line scribed in step A.
- (C) Apply first screw at a 45° angle to secure bracket to door stop.
NOTE: Be very careful to keep bracket aligned with the scribe line.
- (D) Apply remaining two screws to complete bracket installation.
- (E) Repeat steps B through D to attach second bracket to opposite side. Remember to keep alignment with the scribe line.

2. MULLION INSTALLATION

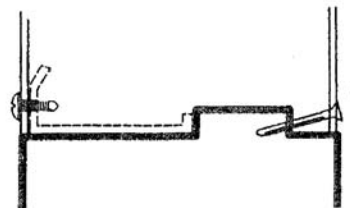


- (F) Press mullion down over the brackets forming a tight fit with the frame.
NOTE: At this point the holes in sides of the mullion are slightly offset from the holes in the mullion brackets. The offset hole will be used to pull the mullion down onto the frame after tightening. (See mullion screw detail)
- (G) Insert screw which will enter at an angle.
- (H) Tighten screw which will bring mullion hole into alignment with bracket hole.

MULLION SCREW DETAIL

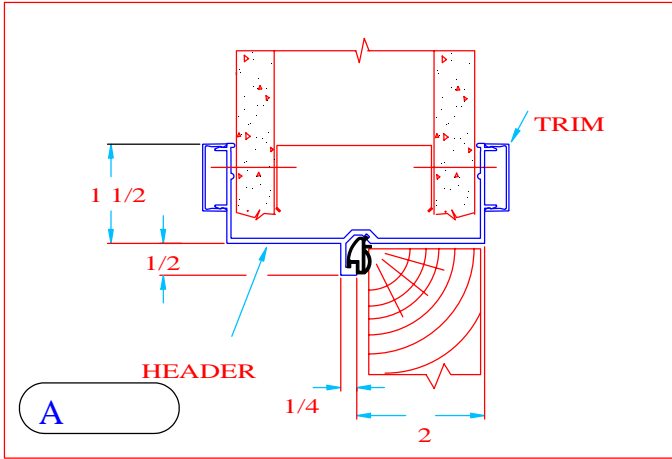


On wall sizes $3/4"$ and less, use mullion bracket on the doorside rabbet and secure opposite side with a $1/4"$ drywall screw as shown.
NOTE: Always install mullion screw first.

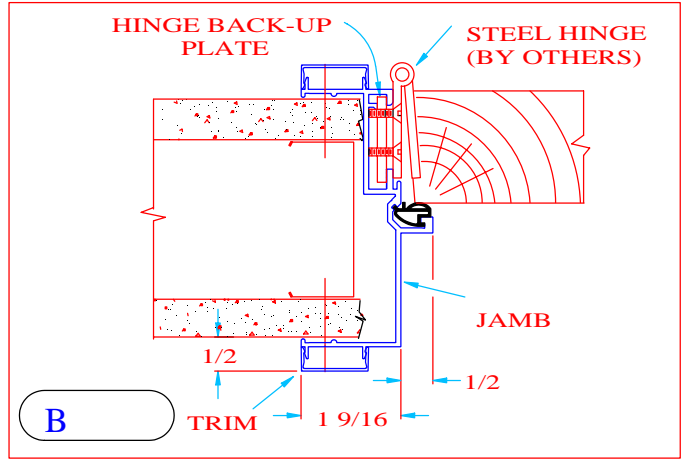


*Caution: Do not over tighten screw

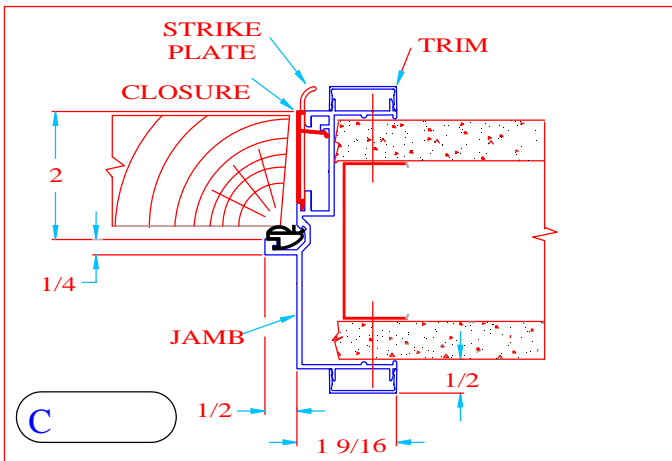
CROSS SECTIONS FOR SERIES 200 FRAME / SIDELIGHT & RELIGHT



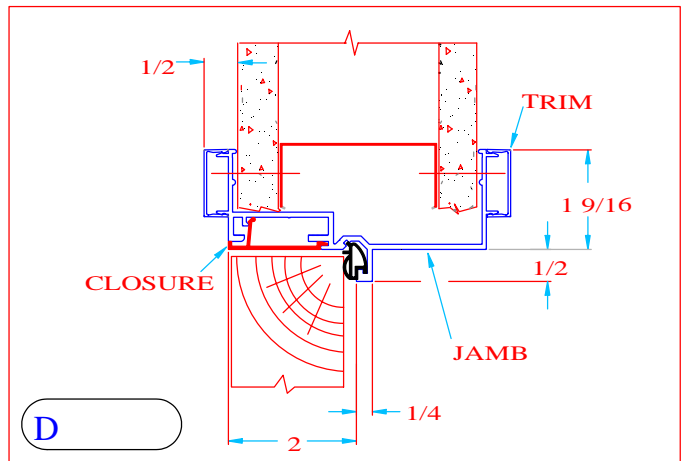
HEADER



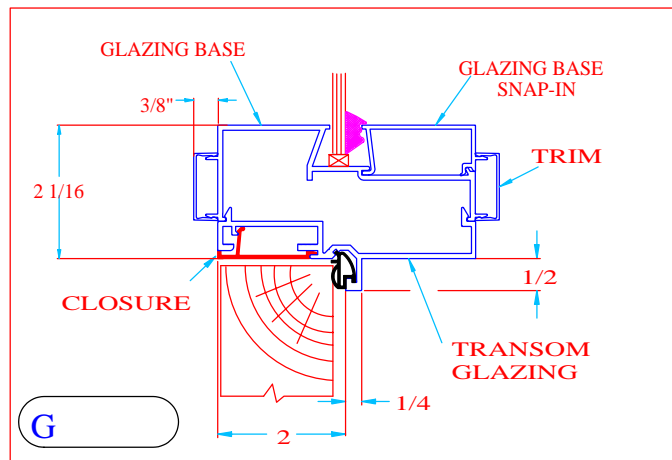
HINGE JAMB



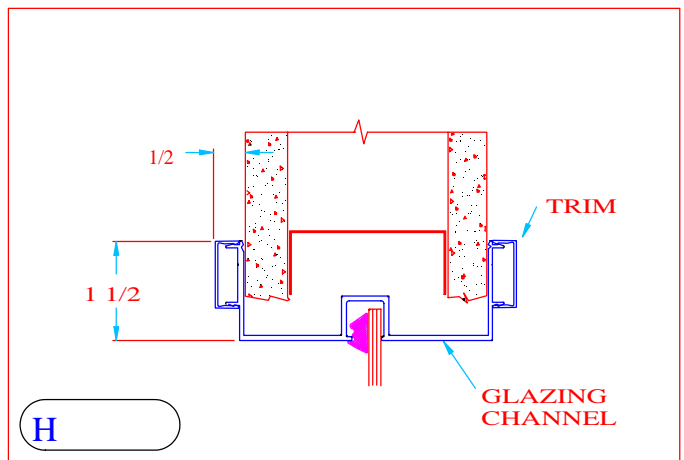
STRIKE JAMB



HEADER-ALT.

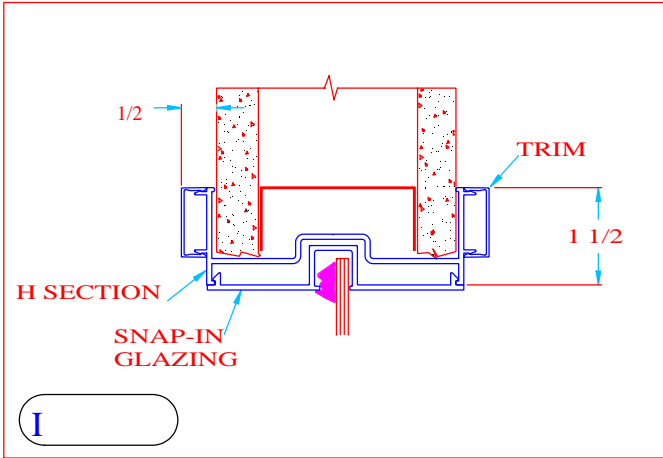


TRANSOM MULLION-ALT.

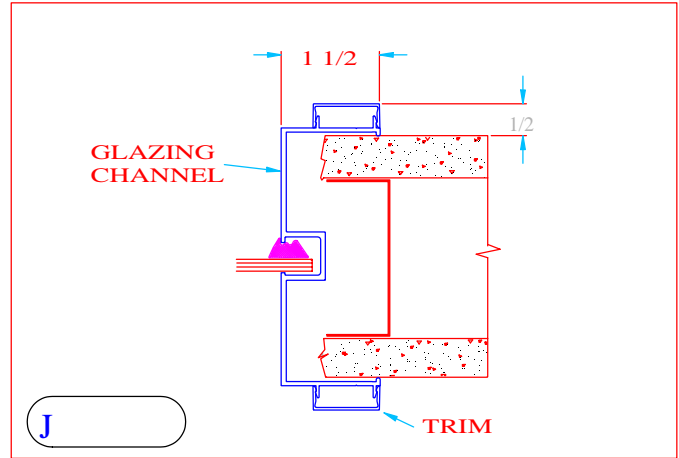


RELIGHT GLAZING HEADER

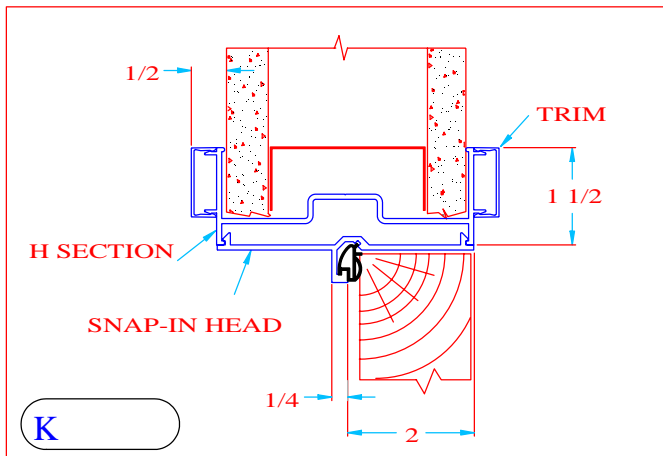
CROSS SECTIONS FOR SERIES 200 FRAME / SIDELIGHT & RELIGHT



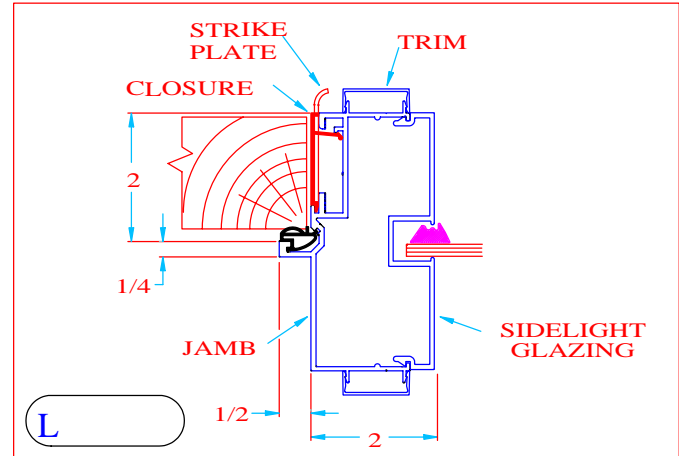
I
 SIDELIGHT GLAZING HEADER



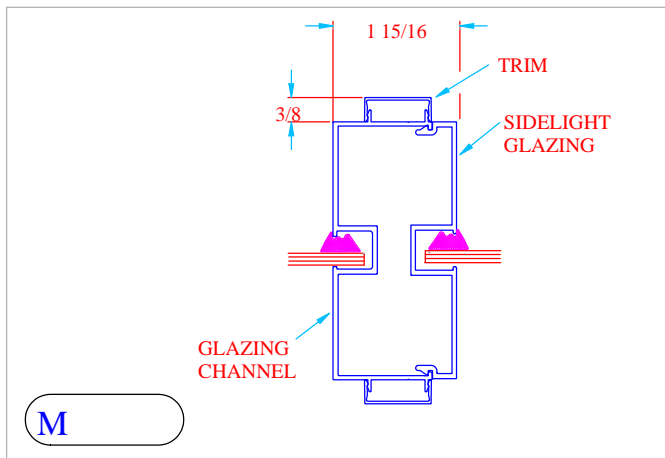
J
 GLAZING JAMB



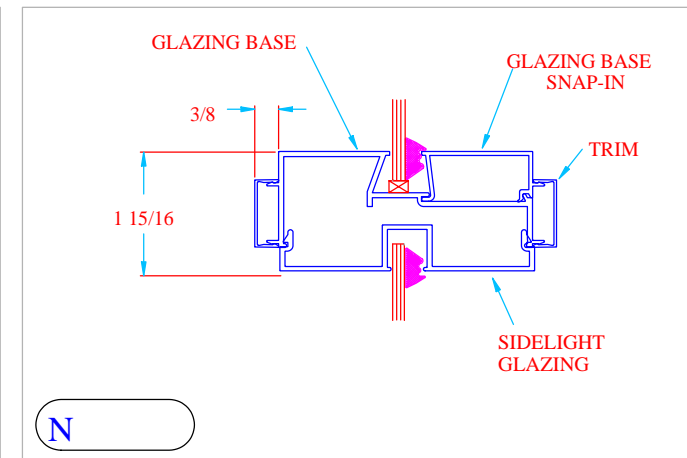
K
 SIDELIGHT DOOR HEADER



L
 SIDELIGHT STRIKE MULLION

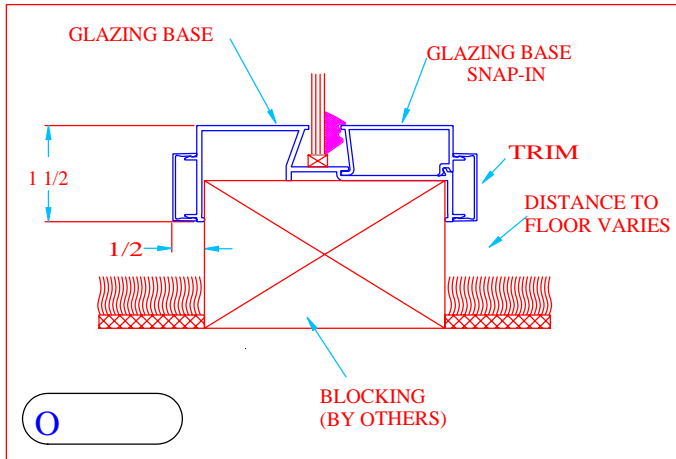


M
 VERTICAL GLAZING MULLION
 TRANSOM / SIDELIGHT MULLION

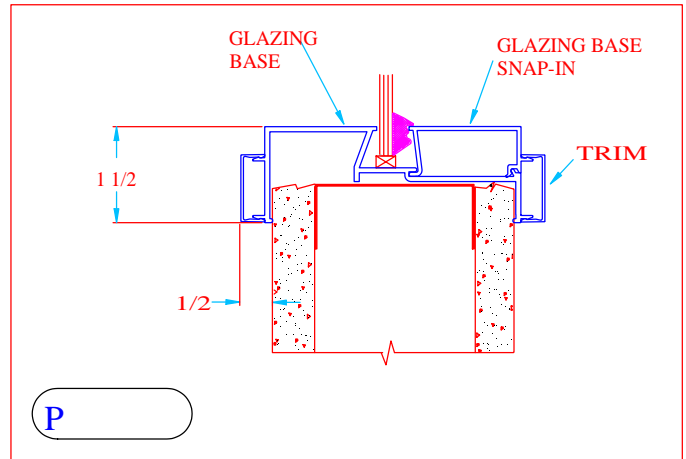


N
 HORIZONTAL GLAZING MULLION

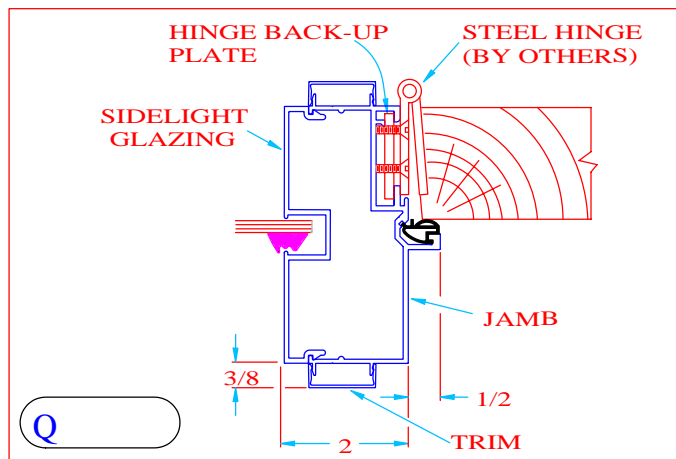
CROSS SECTIONS FOR SERIES 200 FRAME / SIDELIGHT & RELIGHT



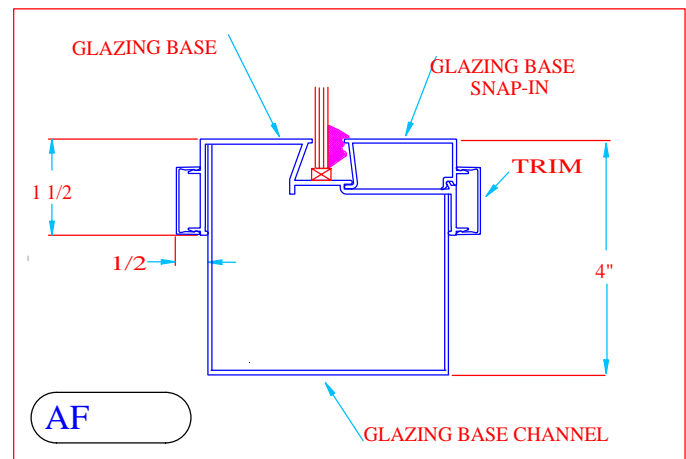
GLAZING SILL AT FLOOR / BASE LEVEL



GLAZING SILL AT MID-PANEL / BOTTOM GLAZING

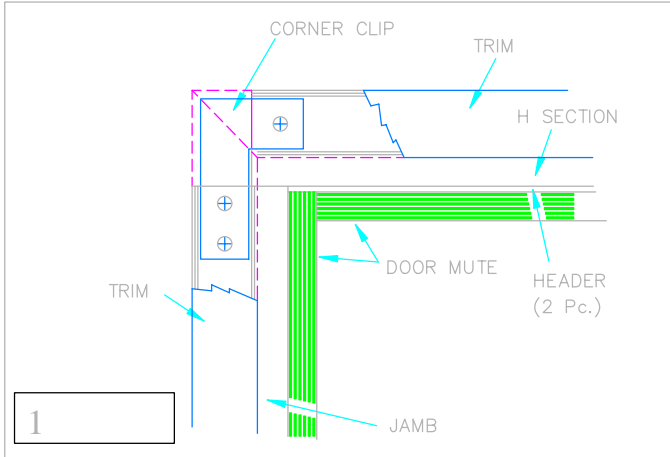


SIDELIGHT HINGE MULLION

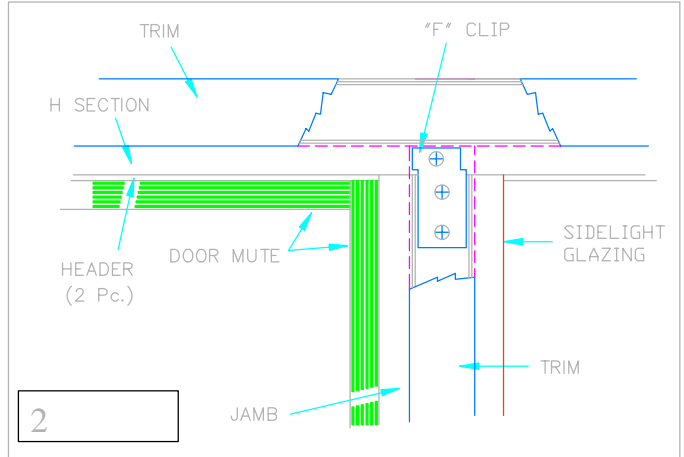


4" GLAZING SILL AT FLOOR BASE LEVEL

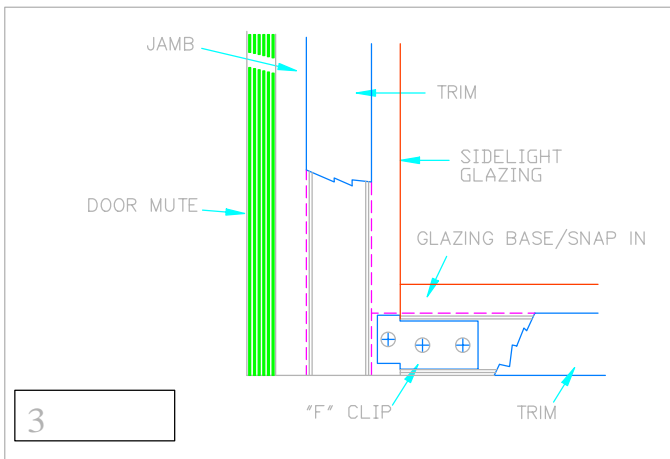
JOINT DETAILS FOR SERIES 200 FRAME / SIDELIGHT & RELIGHT



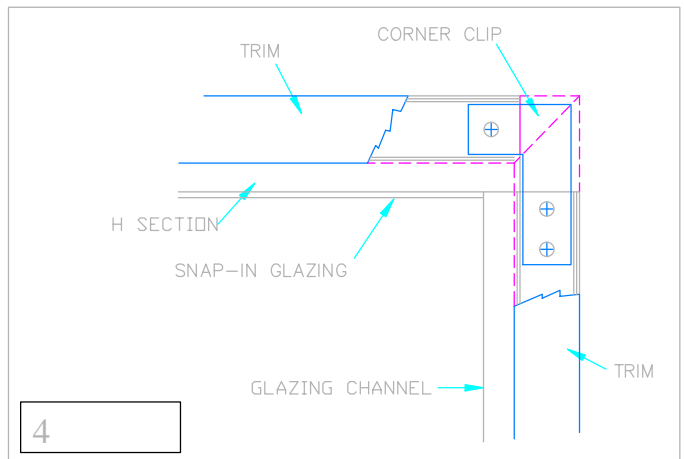
1 SIDELIGHT DOOR FRAME / CORNER



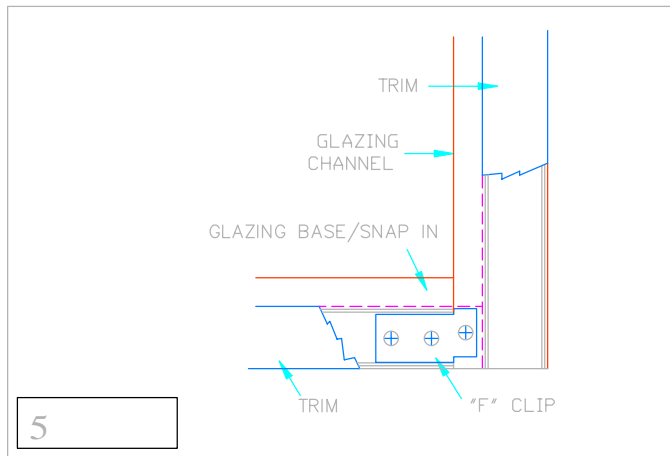
2 DOOR FRAME SIDELIGHT MULLION AT HEADER



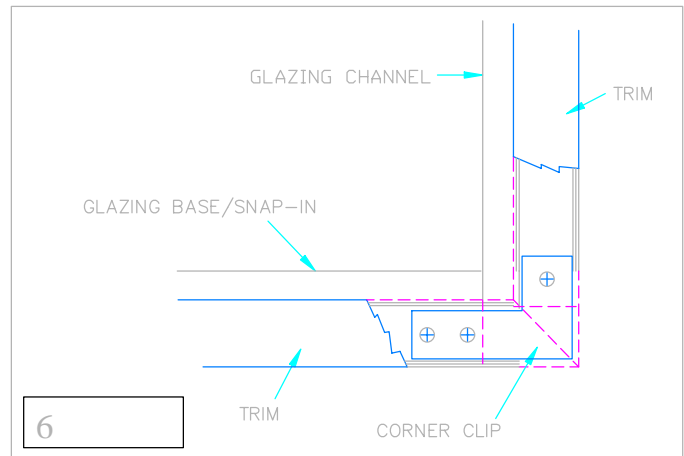
3 DOOR FRAME SIDELIGHT MULLION AT FLOOR / BASE LEVEL SILL



4 SIDELIGHT CORNER AT HEADER

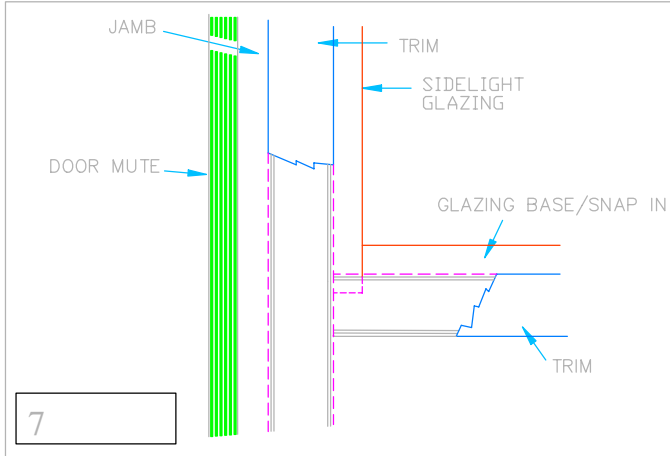


5 RELIGHT / SIDELIGHT CORNER AT FLOOR / BASE LEVEL SILL

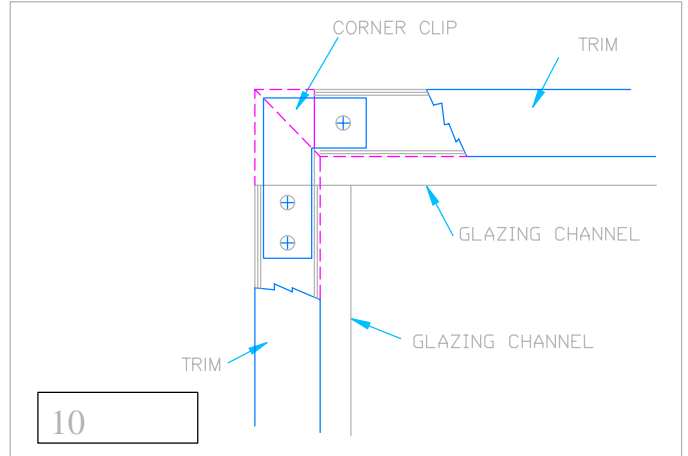


6 RELIGHT / SIDELIGHT CORNER AT MID-PANEL BOTTOM GLAZING SILL

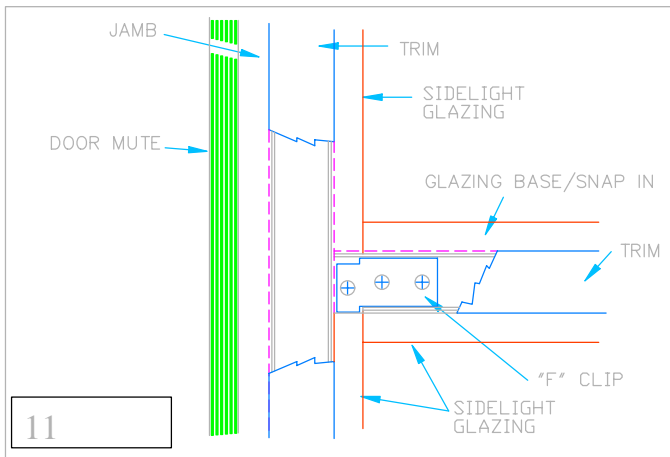
JOINT DETAILS FOR SERIES 200 FRAME / SIDELIGHT & RELIGHT



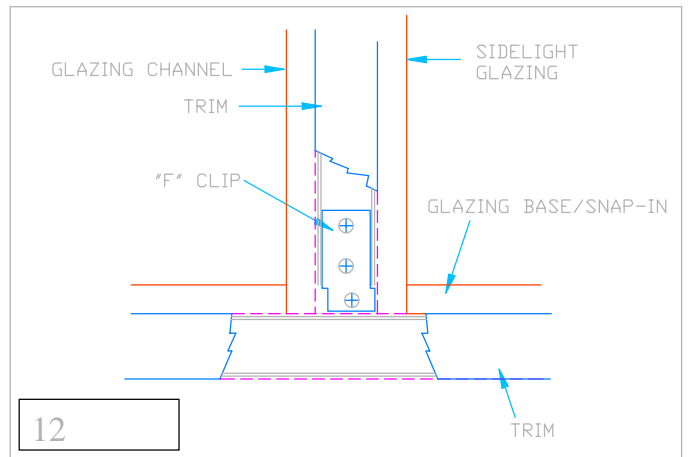
7
 DOOR FRAME SIDELIGHT MULLION
 AT MID-PANEL BOTTOM GLAZING SILL



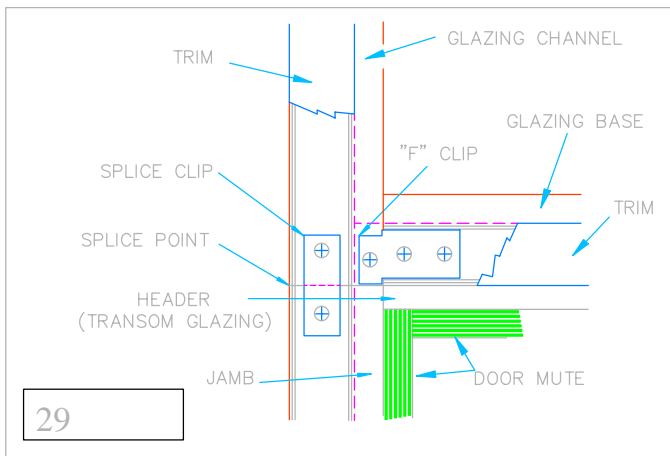
10
 RELIGHT / SIDELIGHT / TRANSOM CORNER
 AT GLAZING HEADER



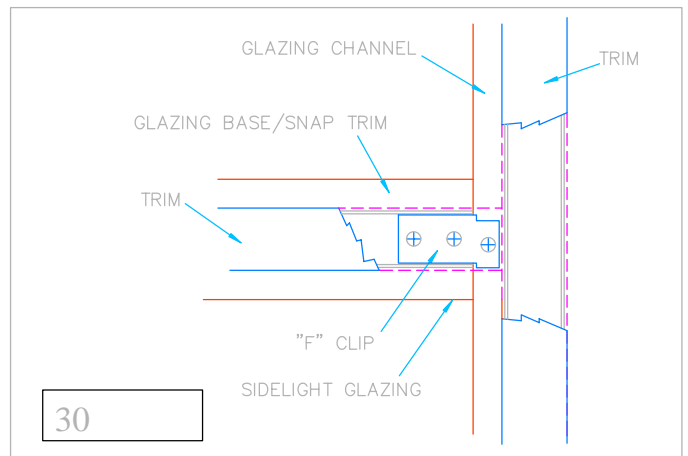
11
 DOOR FRAME / SIDELIGHT MULLION
 AT HORIZONTAL GLAZING MULLION



12
 RELIGHT / SIDELIGHT VERTICAL MULLION
 AT SILL

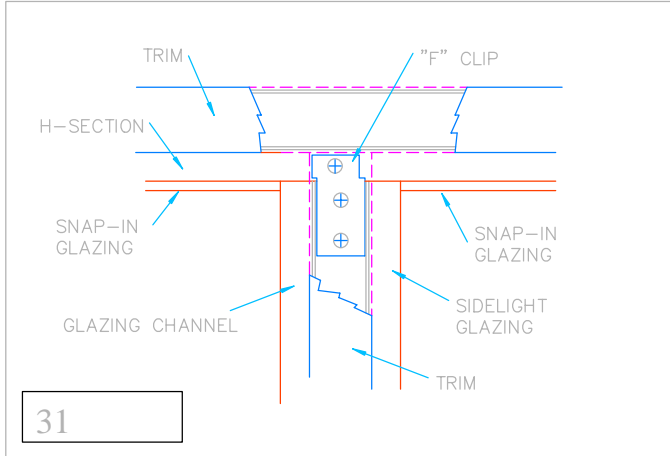


29
 DOOR FRAME TRANSOM GLAZING
 AT DOOR HEADER MULLION-ALT

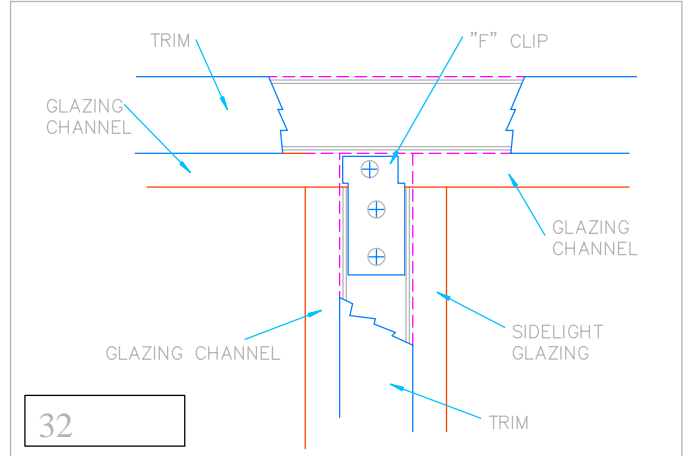


30
 HORIZONTAL GLAZING MULLION
 AT GLAZING JAMB

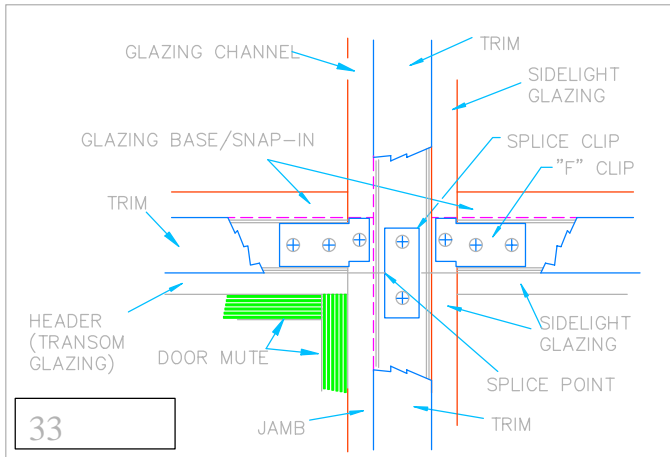
JOINT DETAILS FOR SERIES 200 FRAME / SIDELIGHT & RELIGHT



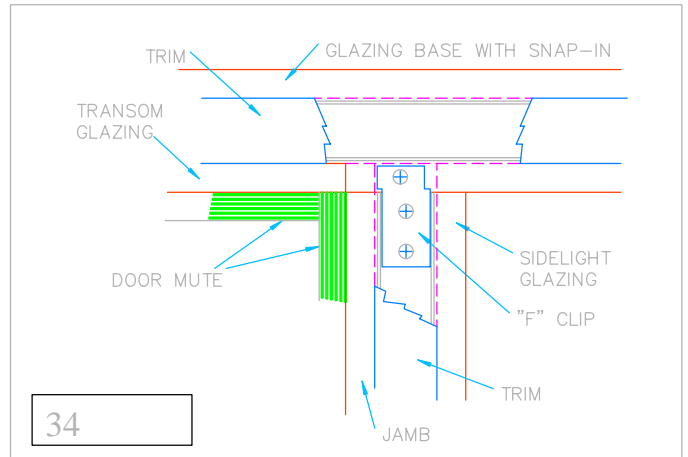
VERTICAL GLAZING MULLION
 AT SIDELIGHT HEADER



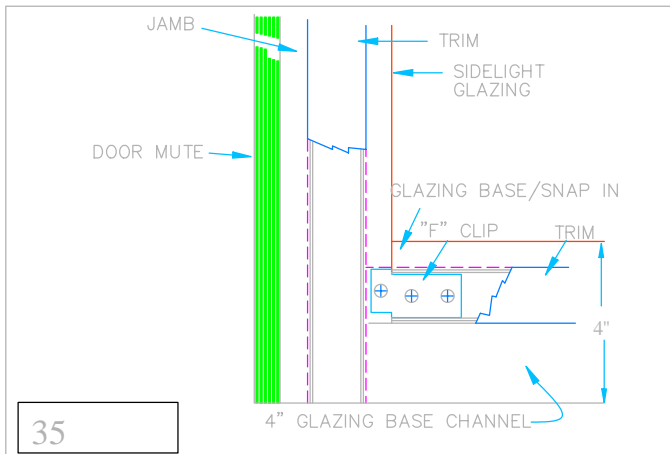
VERTICAL GLAZING MULLION
 AT RELIGHT HEADER



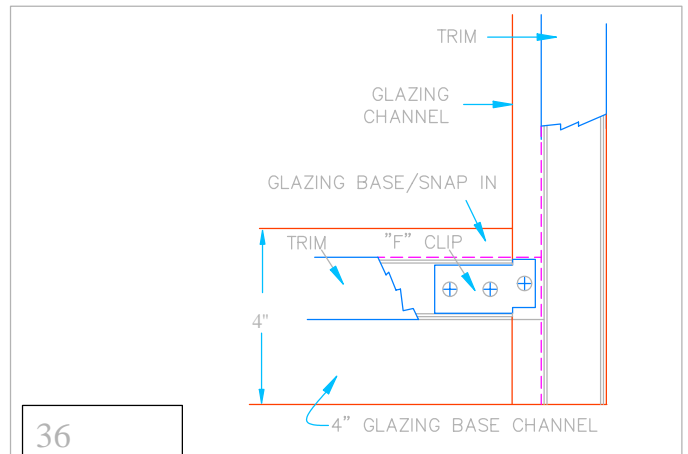
DOOR FRAME / TRANSOM / SIDELIGHT
 VERTICAL & HORIZONTAL MULLION



DOOR FRAME / SIDELIGHT MULLION
 AT TRANSOM BASE MULLION

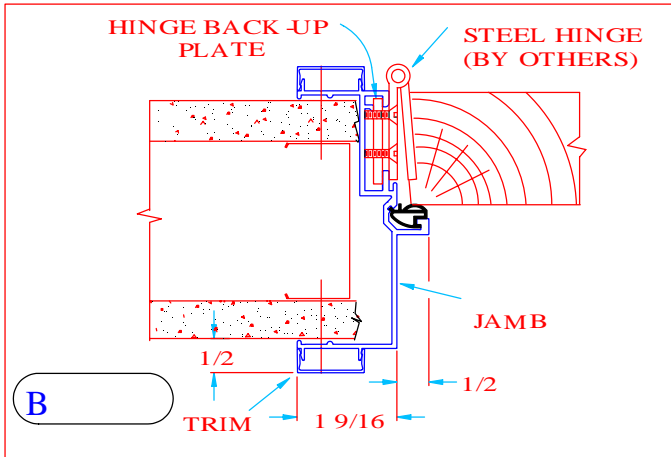


DOOR FRAME SIDELIGHT MULLION
 AT FLOOR / BASE LEVEL 4" SILL

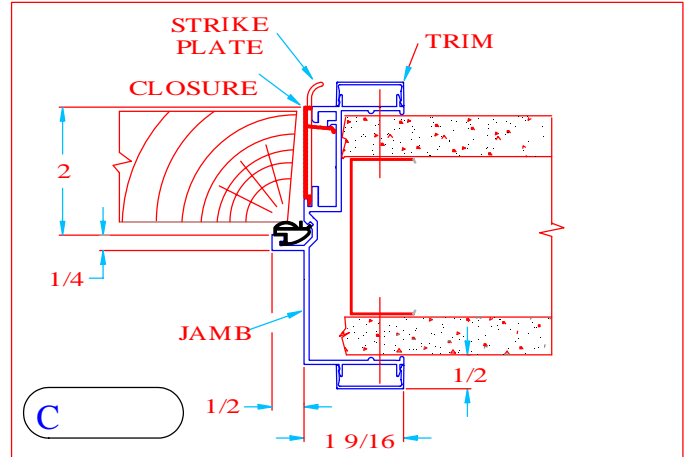


RELIGHT / SIDELIGHT CORNER
 AT FLOOR / BASE LEVEL 4" SILL

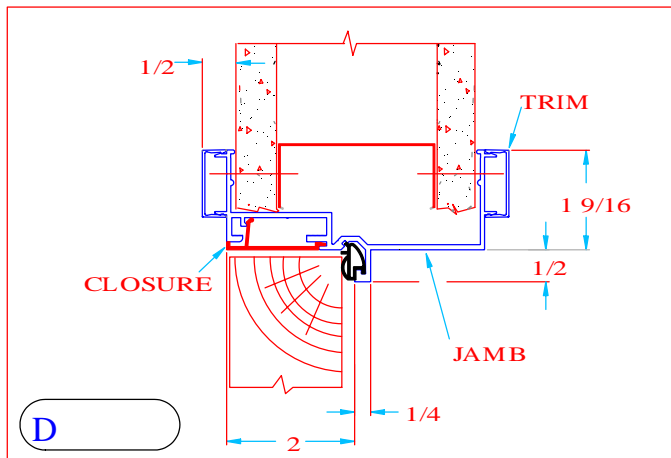
CROSS SECTIONS FOR SERIES 300 FRAME / SIDELIGHT & RELIGHT



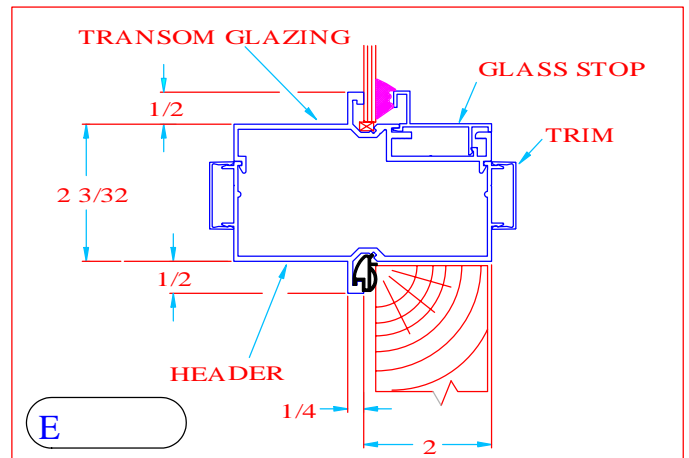
HINGE JAMB



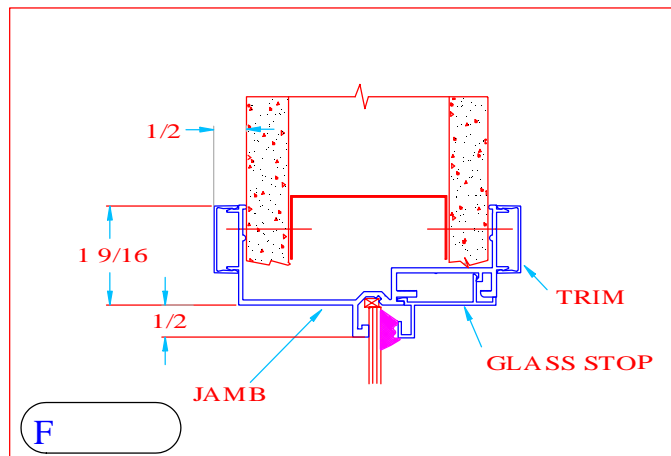
STRIKE JAMB



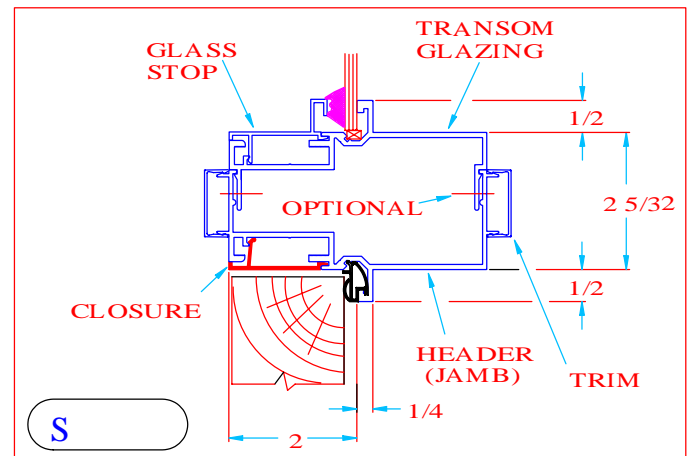
HEADER ALT.



TRANSOM MULLION

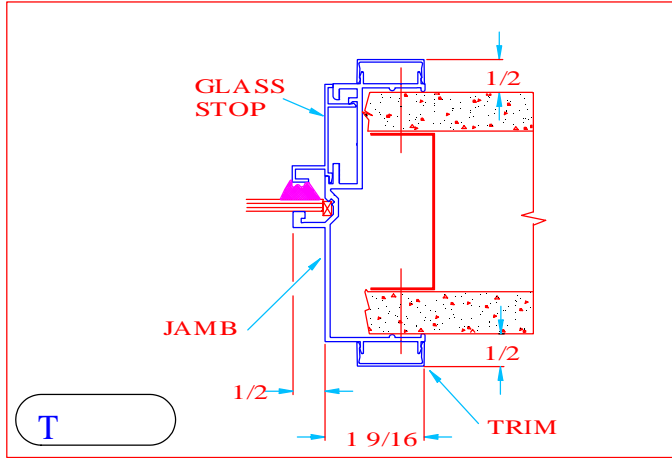


GLAZING HEADER

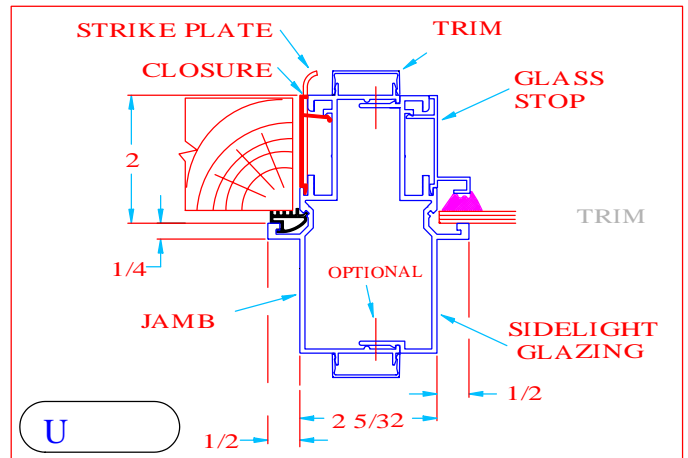


TRANSOM MULLION-ALT.

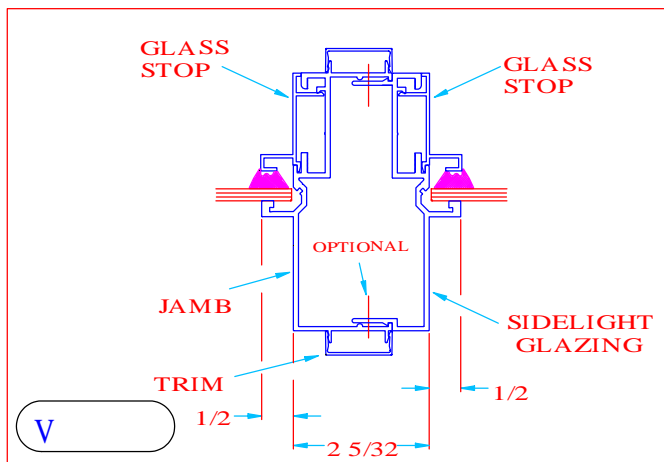
CROSS SECTIONS FOR SERIES 300 FRAME / SIDELIGHT & RELIGHT



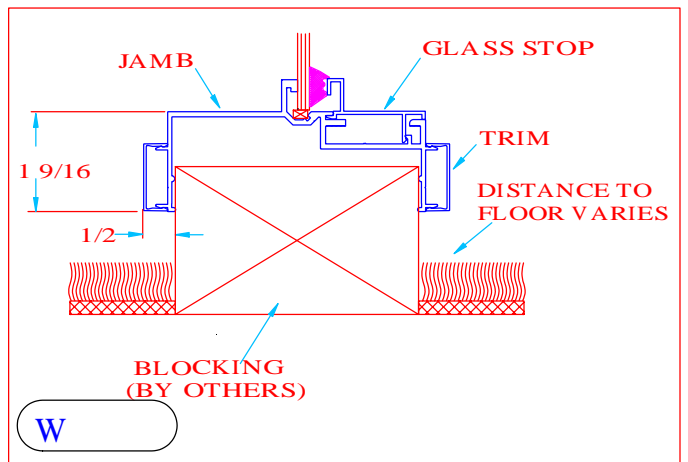
GLAZING JAMB



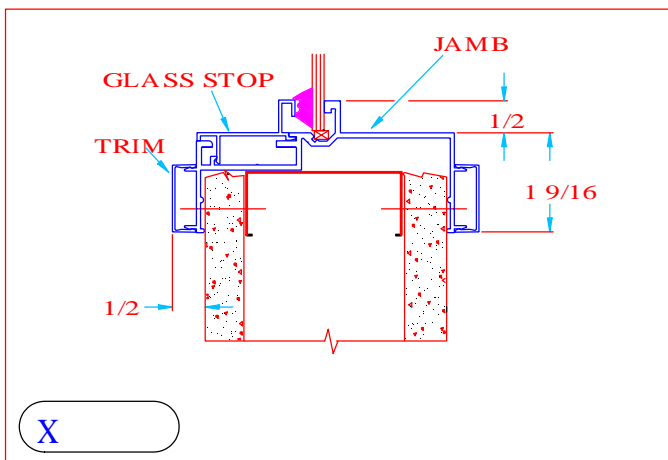
SIDELIGHT STRIKE



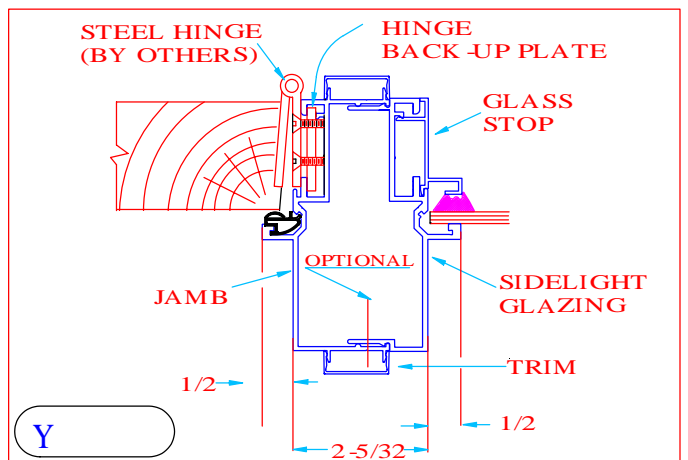
HORIZONTAL / VERTICAL MULLION



GLAZING SILL
 AT FLOOR / BASE LEVEL

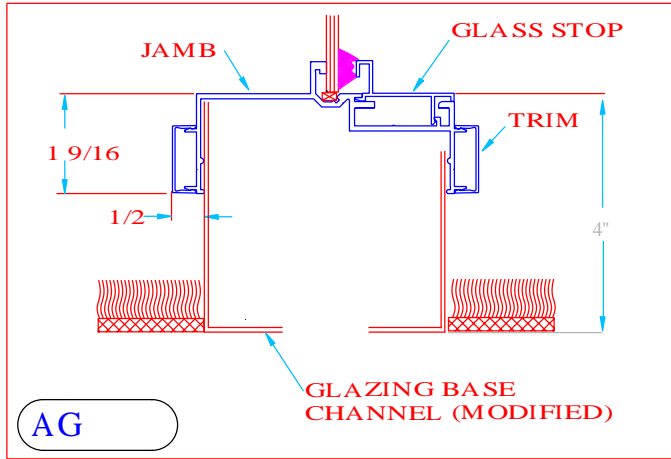


GLAZING SILL
 AT MID-PANEL / BOTTOM GLAZING



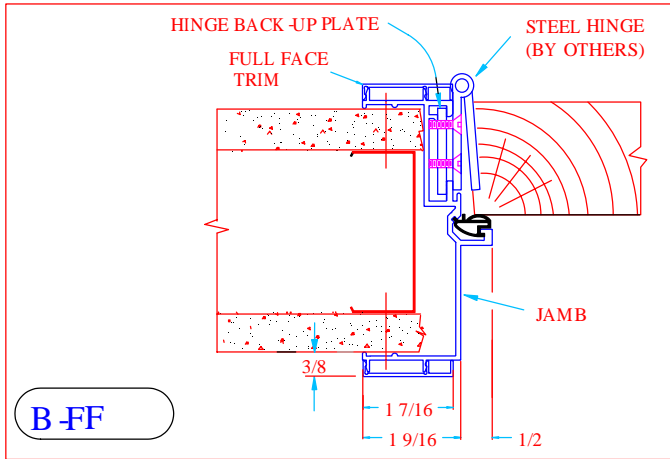
SIDELIGHT HINGE MULLION

CROSS SECTIONS FOR SERIES 300 FRAME / SIDELIGHT & RELIGHT

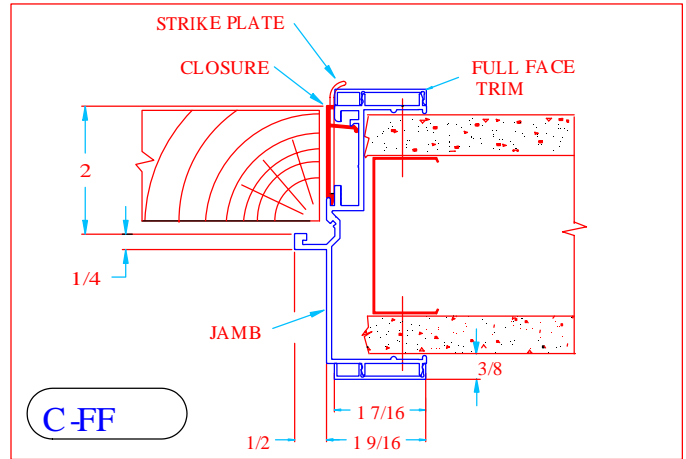


4" GLAZING SILL
AT FLOOR / BASE LEVEL

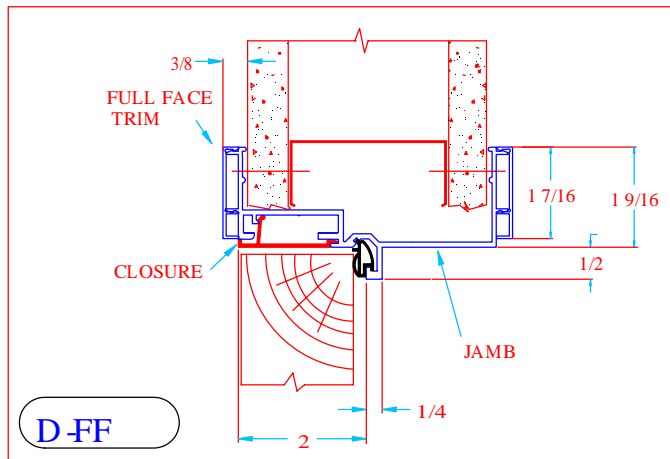
CROSS SECTIONS FOR SERIES 300 FRAME / SIDELIGHT & RELIGHT



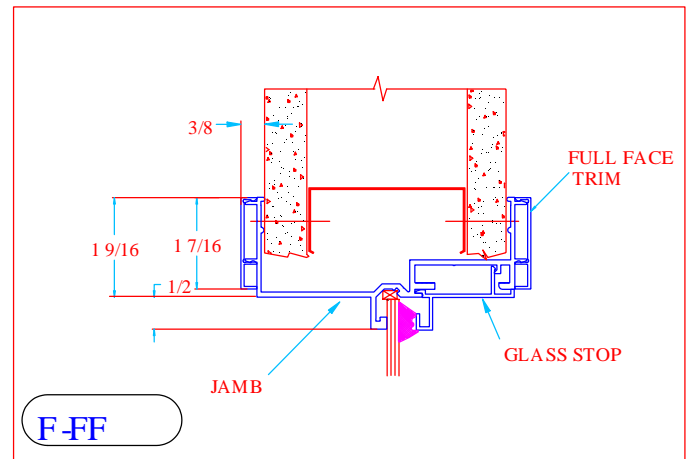
HINGE JAMB



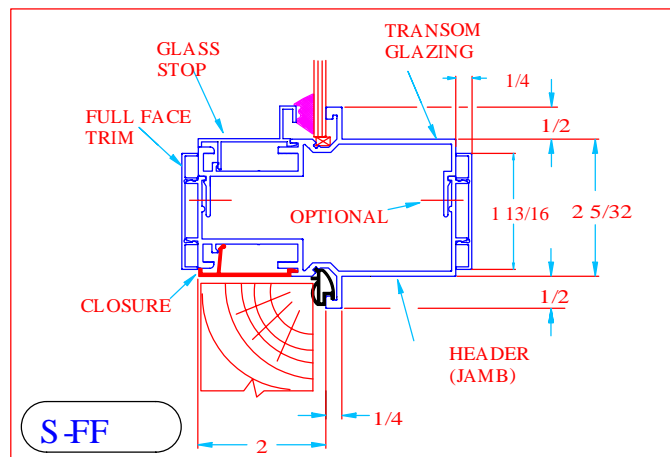
STRIKE JAMB



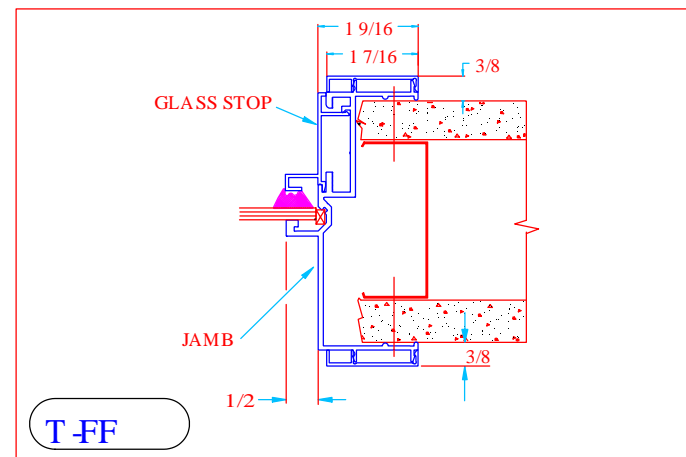
HEADER ALT.



GLAZING HEADER

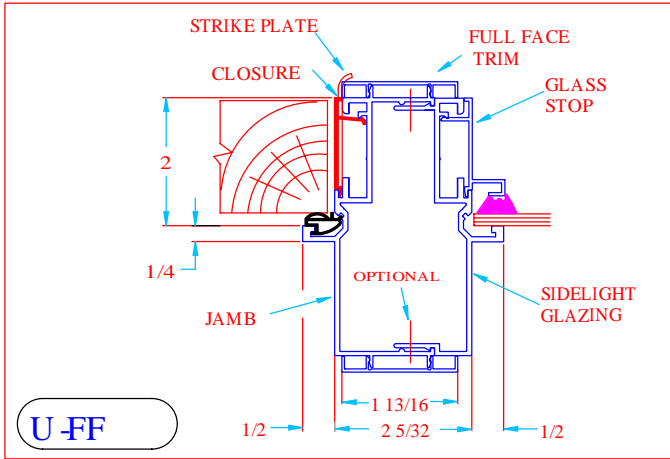


TRANSOM MULLION

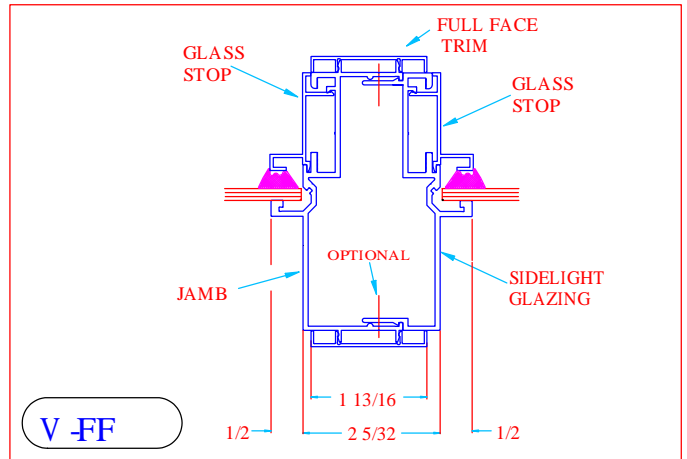


GLAZING JAMB

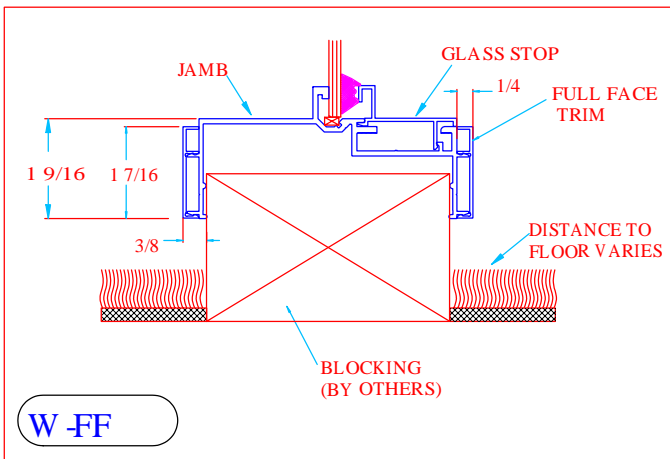
CROSS SECTIONS FOR SERIES 300 FRAME / SIDELIGHT & RELIGHT



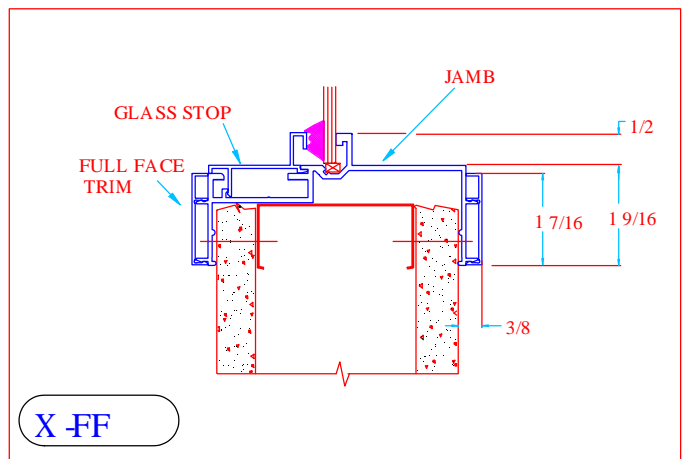
SIDELIGHT STRIKE MULLION



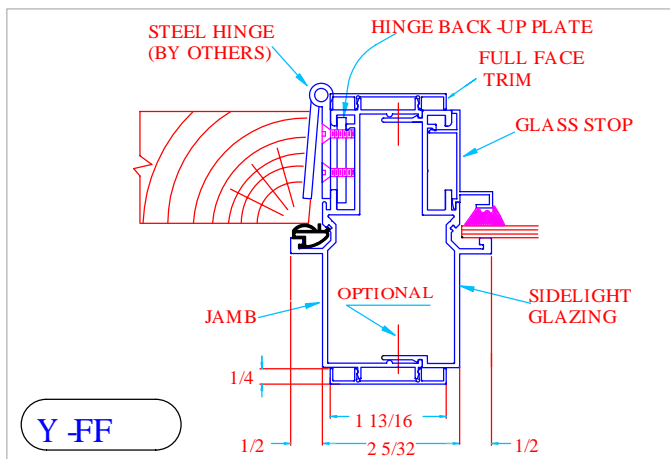
HORIZONTAL / VERTICAL GLAZING MULLION



GLAZING SILL AT FLOOR / BASE LEVEL

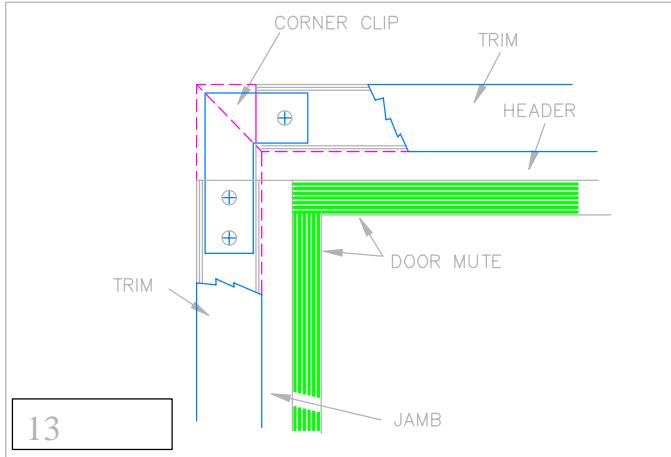


GLAZING SILL AT MID PANEL / BOTTOM GLAZING

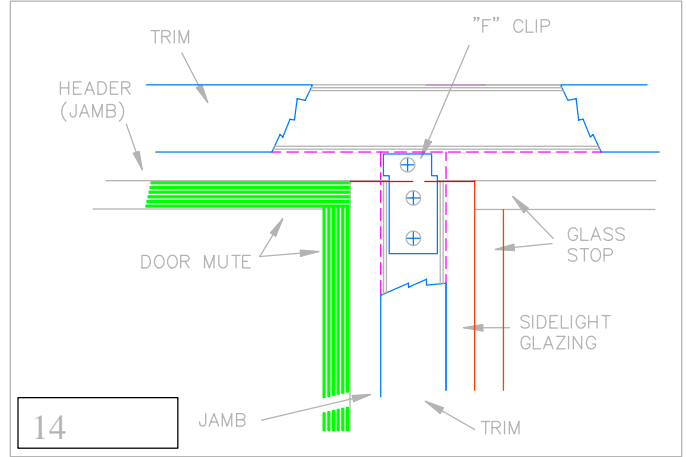


SIDELIGHT HINGE MULLION

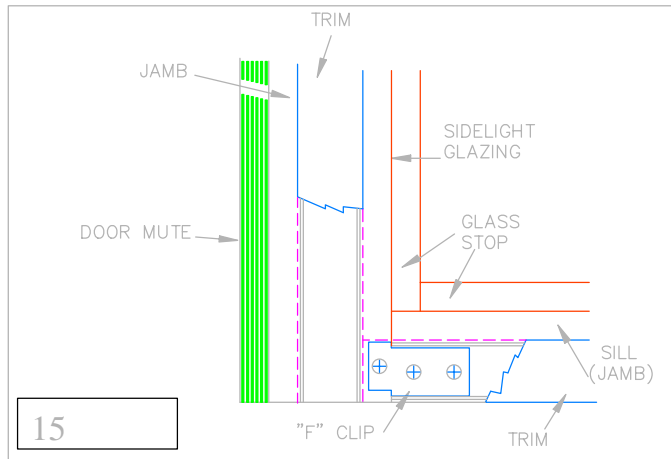
JOINT DETAILS FOR SERIES 300 FRAME / SIDELIGHT & RELIGHT



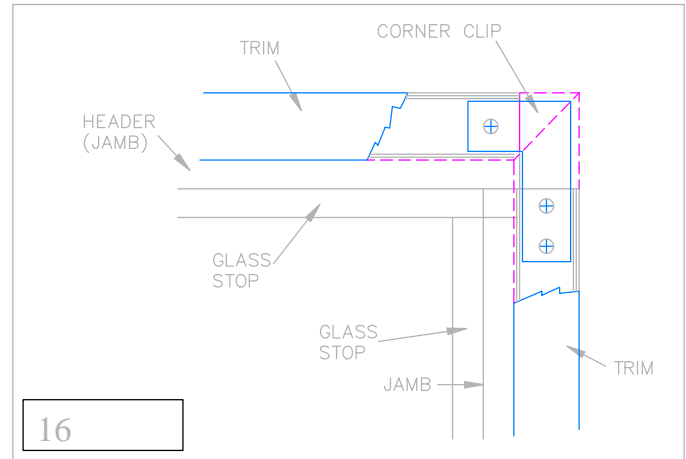
13
 DOOR FRAME / CORNER
 WITH MITERED TRIM



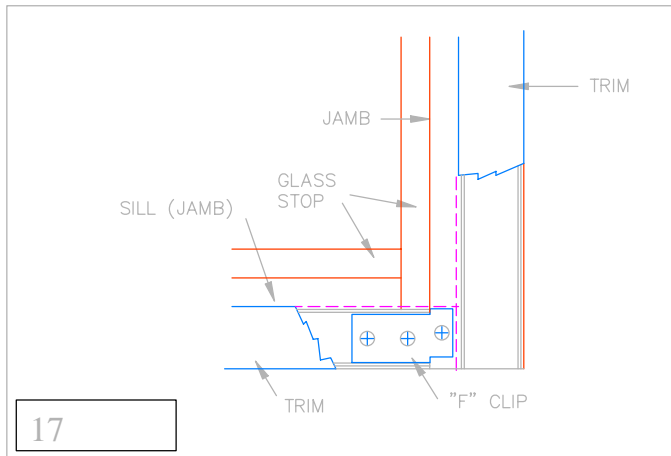
14
 FRAME / SIDELIGHT
 AT HEADER



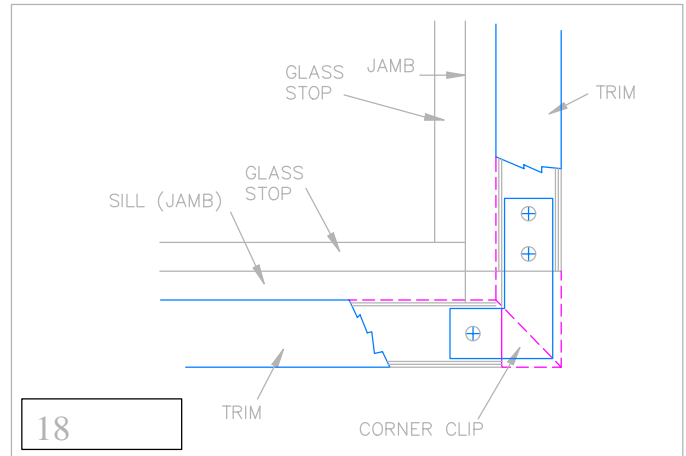
15
 FRAME / SIDELIGHT
 AT FLOOR / BASE LEVEL



16
 RELIGHT / SIDELIGHT / TRANSOM CORNER
 WITH MITERED TRIM

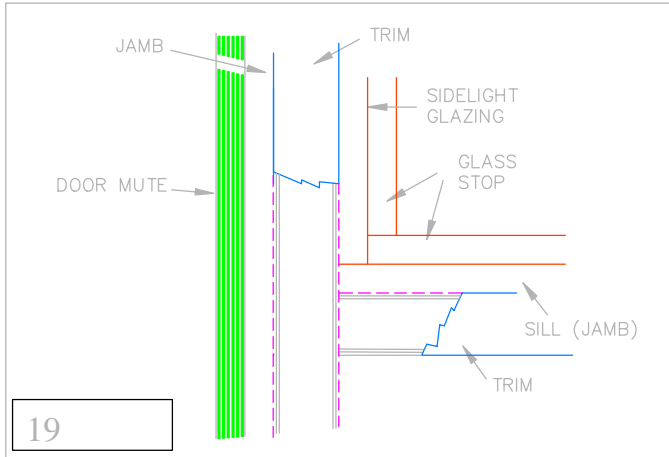


17
 RELIGHT / SIDELIGHT
 AT FLOOR / BASE LEVEL

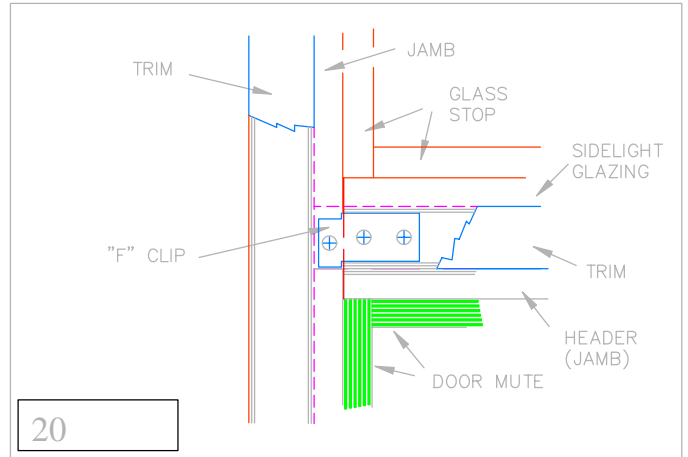


18
 RELIGHT / SIDELIGHT
 AT MID-PANEL BOTTOM GLAZING

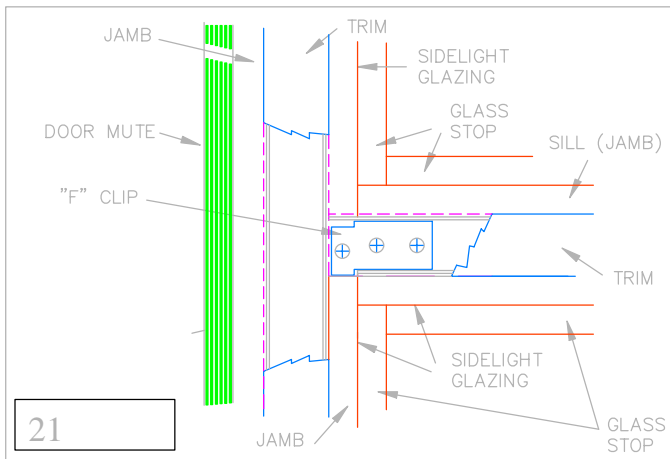
JOINT DETAILS FOR SERIES 300 FRAME / SIDELIGHT & RELIGHT



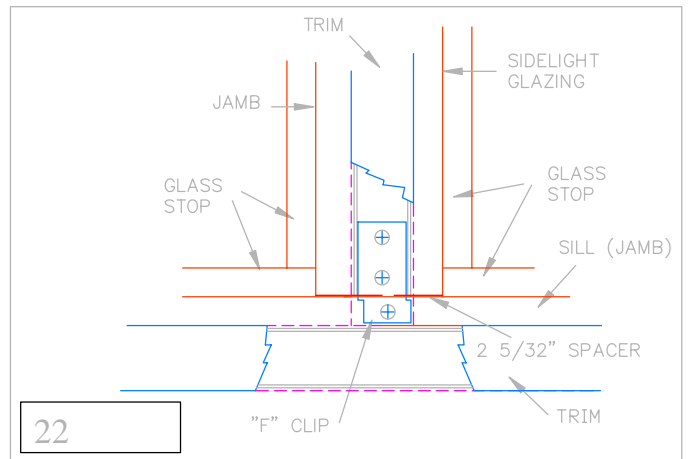
FRAME / SIDELIGHT
 AT MID-PANEL BOTTOM GLAZING



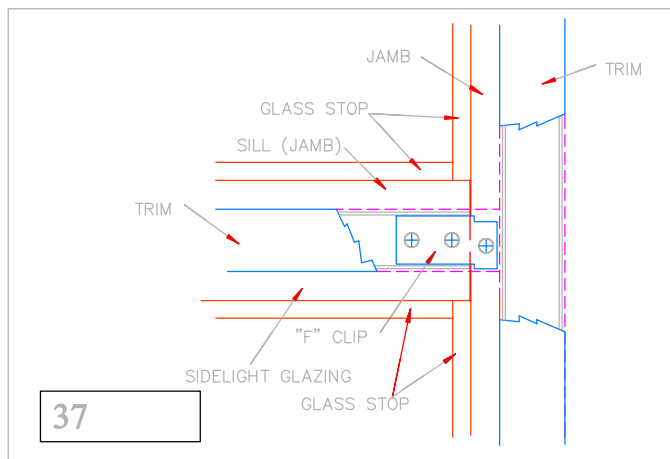
FRAME
 WITH TRANSOM GLAZING



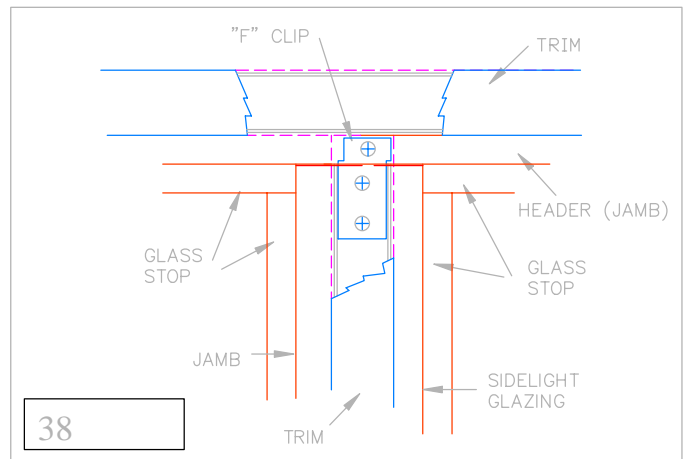
FRAME / SIDELIGHT
 WITH HORIZONTAL MULLION



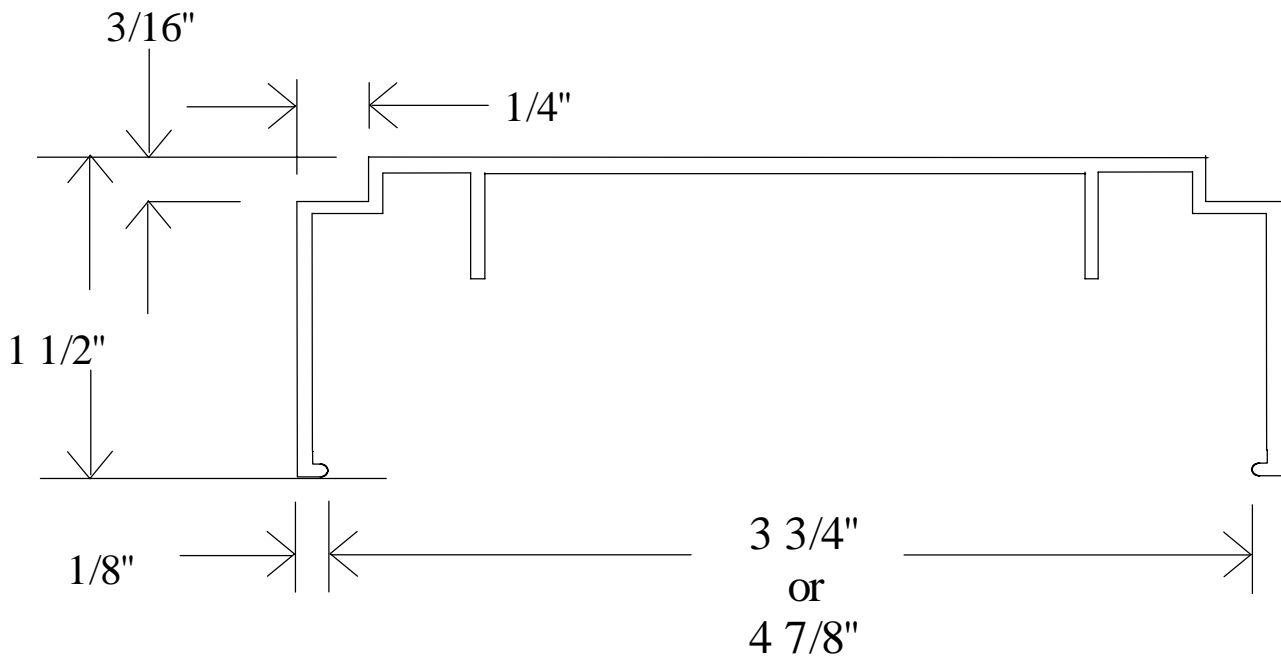
SIDELIGHT/RELIGHT MULLION
 AT FLOOR / BASE LEVEL



HORIZONTAL GLAZING MULLION
 AT GLAZING JAMB



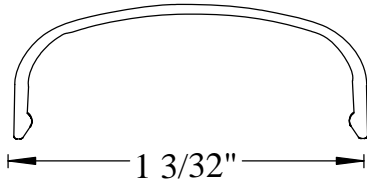
SIDELIGHT/RELIGHT MULLION
 AT HEADER



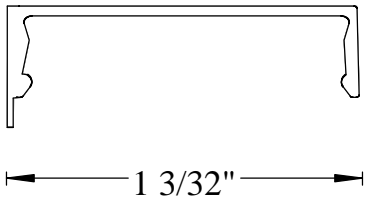
CEILING RUNNER

Trim Profiles

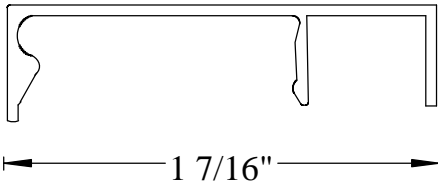
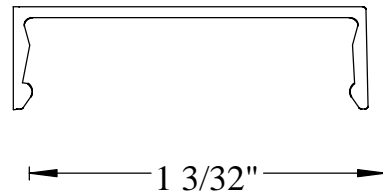
RadiusTrim (RT)



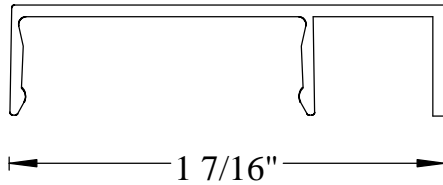
Perimeter Trim (PTM)



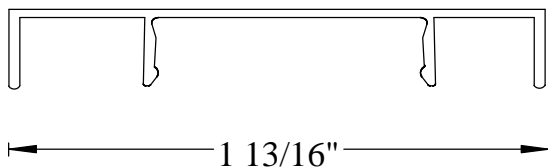
StandardTrim (T)



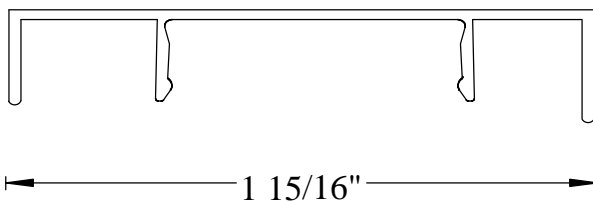
Full Face Perimeter Trim (TFF1)



Full Face Base Trim (TFF3)



Full Face Mullion Trim (TFF2)



2" Perimeter Trim (TFF4)
 (Can be used at base if there is a 4" Sill)

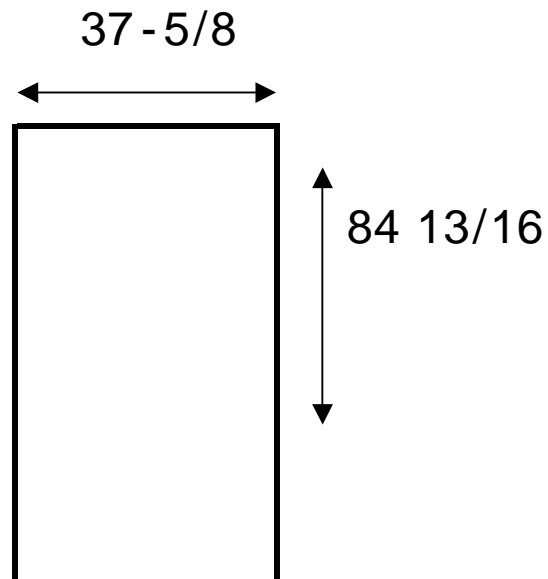
ROUGH OPENINGS

DOOR FRAME

WIDTH: 1 - 5/8" wider than Door Opening.

HEIGHT: 13/16" higher than Door Opening.

example
3'0 x 7'0 door frame



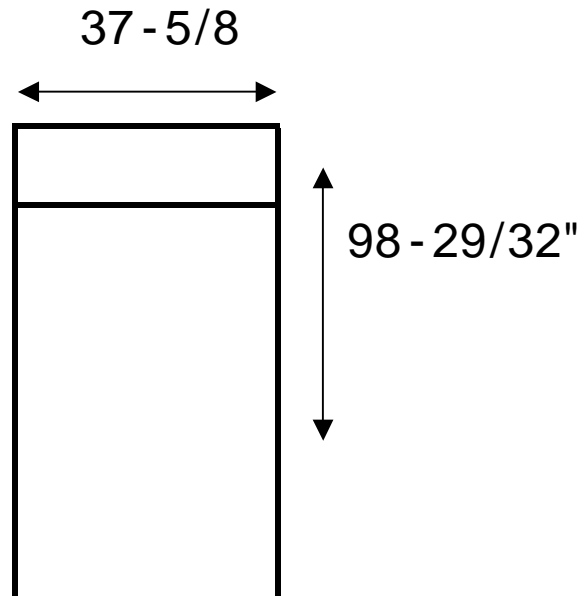
ROUGH OPENINGS

DOOR FRAME WITH TRANSOM - - 200 SERIES

WIDTH: 1 - 5/8" wider than Door Opening.

HEIGHT: 13/16" higher than combination of: Door Opening plus frame/transom mullion.

(2 - 3/32") plus Transom opening.



example
3'0 x 7'0 door frame
12" transom

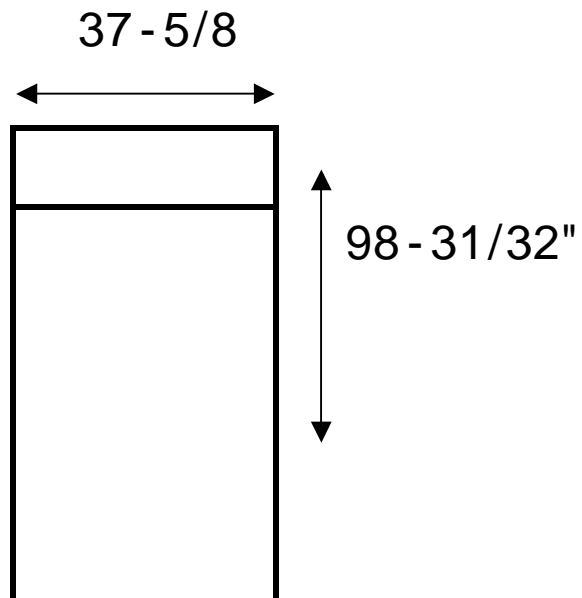
ROUGH OPENINGS

DOOR FRAME WITH TRANSOM - - 200 SERIES - - RAISED STOP

WIDTH: 1 - 5/8" wider than Door Opening.

HEIGHT: 13/16" higher than combination of: Door Opening plus
frame/transom mullion.

(2 - 5/32") plus Transom opening.



example
3'0 x 7'0 door frame
12" transom

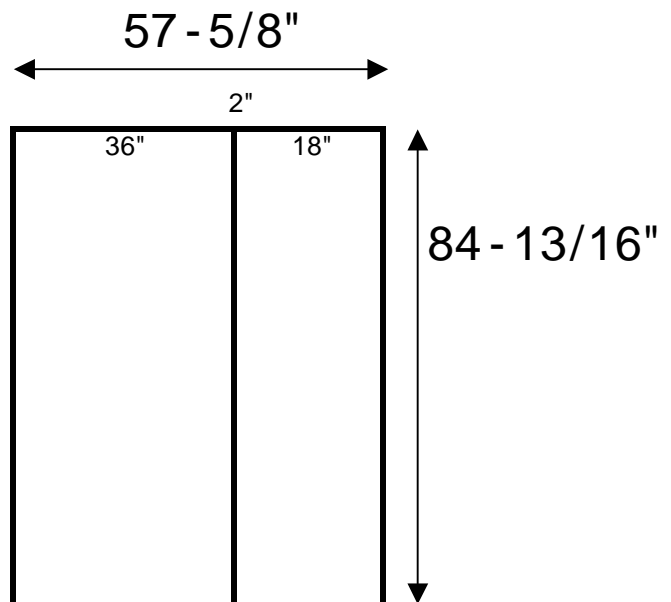
ROUGH OPENINGS

DOOR FRAME WITH SIDELITE TO FLOOR - - 200 SERIES

WIDTH: 1 - 5/8" wider than combination of: Door Opening plus frame/sidelite mullion (2") plus Sidelite Opening. Do not factor in Vertical Mullions.

HEIGHT: 13/16" higher than Door Opening. Do not factor in Horizontal Mullions

INVERT STUDS AT HEADER AND GLAZING JAMB (See Cross Sections H, I, J, K)



example
3'0 x 7'0 door frame
18" sidelite to floor

ROUGH OPENINGS

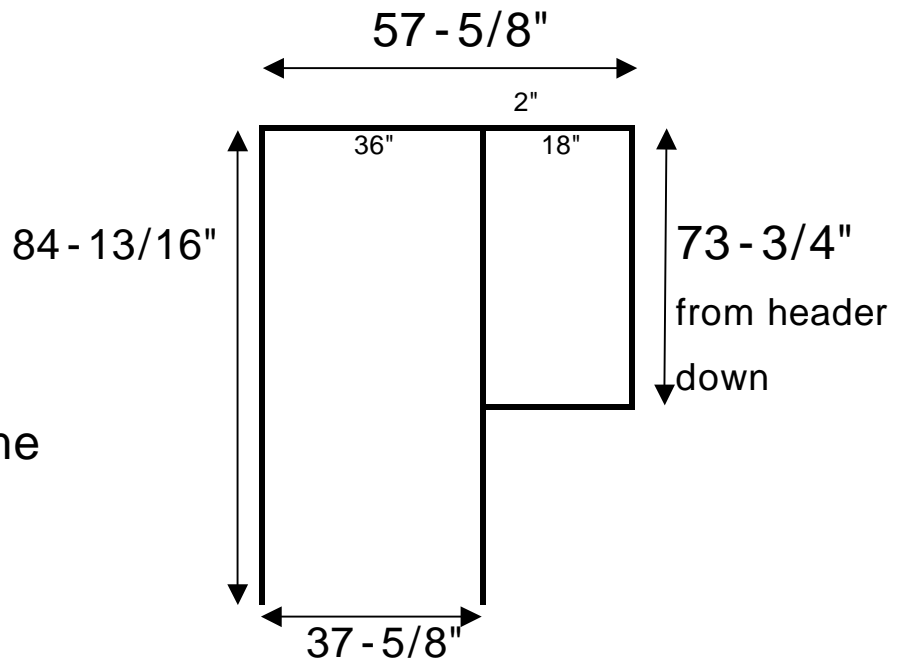
DOOR FRAME WITH SIDELITE TO WALL - - 200 SERIES

WIDTH: 1 - 5/8" wider than combination of: Door Opening plus frame/sidelite mullion (2") plus Sidelite Opening. Do not factor in Vertical Mullions.

HEIGHT: 13/16" higher than Door Opening.
1 - 3/4" larger than Sidelite Opening. Do not factor in Horizontal Mullions

INVERT STUDS AT HEADER AND GLAZING JAMB (See Cross Sections H, I, J, K)

example
3'0 x 7'0 door frame
18" x 72" sidelite



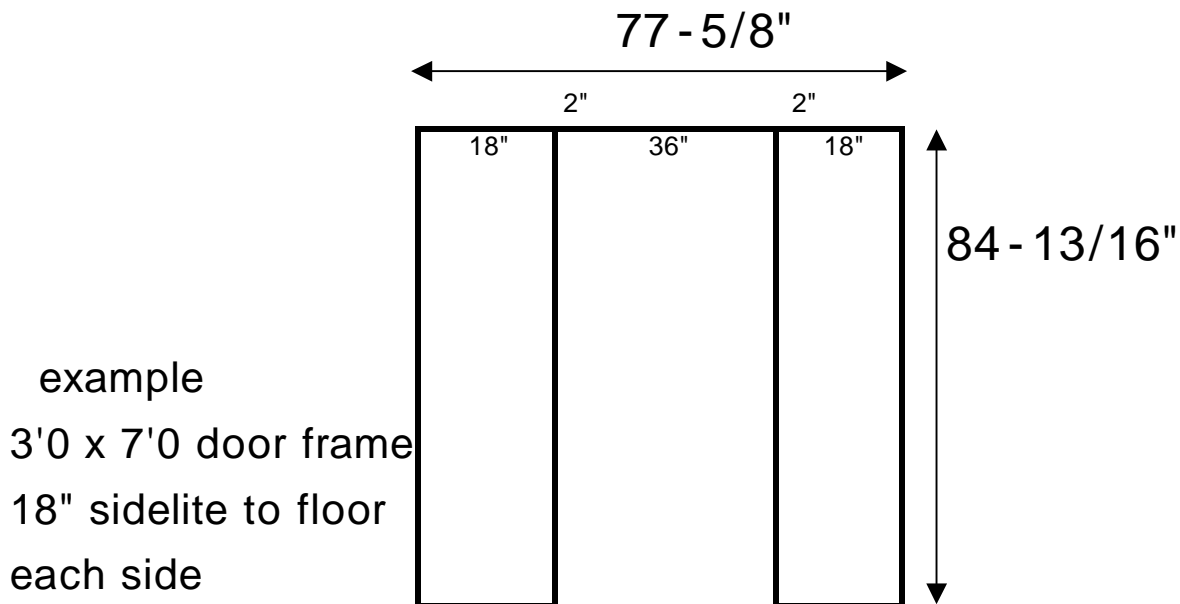
ROUGH OPENINGS

DOOR FRAME WITH SIDELITE TO FLOOR EACH SIDE - - 200 SERIES

WIDTH: 1 - 5/8" wider than combination of: Door Opening plus frame/sidelite mullion (2") plus Sidelite Opening. Do not factor in Vertical Mullions.

HEIGHT: 13/16" higher than Door Opening. Do not factor in Horizontal Mullions

INVERT STUDS AT HEADER AND GLAZING JAMB (See Cross Sections H, I, J, K)



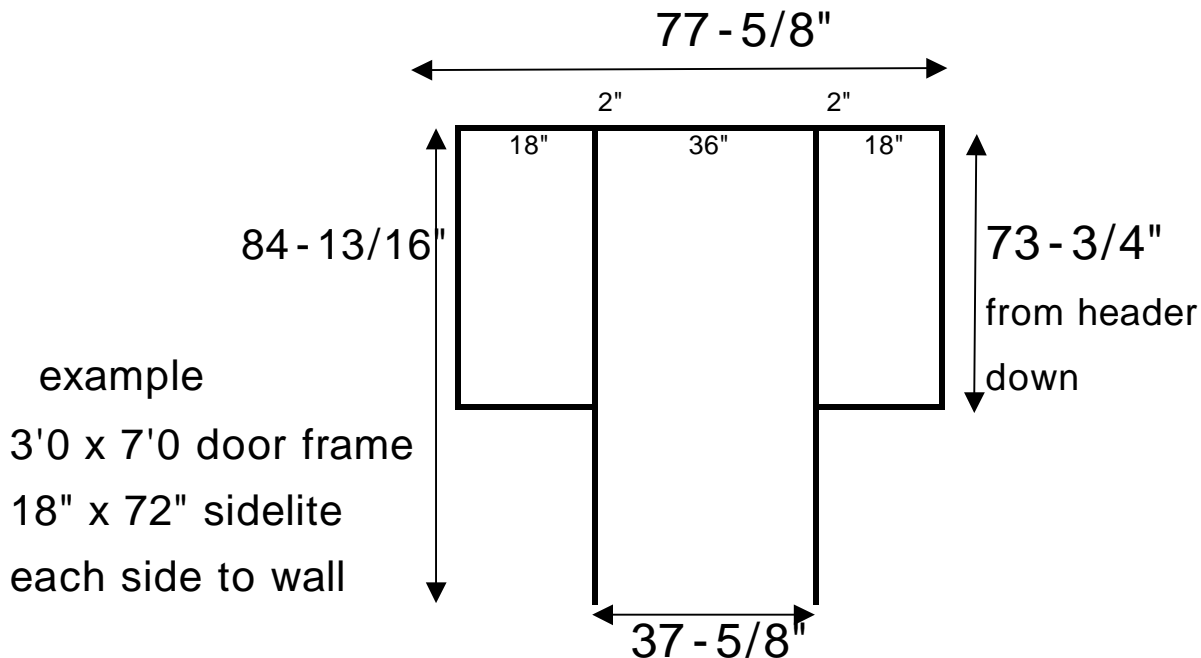
ROUGH OPENINGS

DOOR FRAME WITH SIDELITE TO WALL EACH SIDE - - 200 SERIES

WIDTH: 1 - 5/8" wider than combination of: Door Opening plus frame/sidelite mullion (2") plus Sidelite Opening. Do not factor in Vertical Mullions.

HEIGHT: 13/16" higher than Door Opening.
 1 - 3/4" larger than Sidelite Opening. Do not factor in Horizontal Mullions

INVERT STUDS AT HEADER AND GLAZING JAMB (See Cross Sections H, I, J, K)

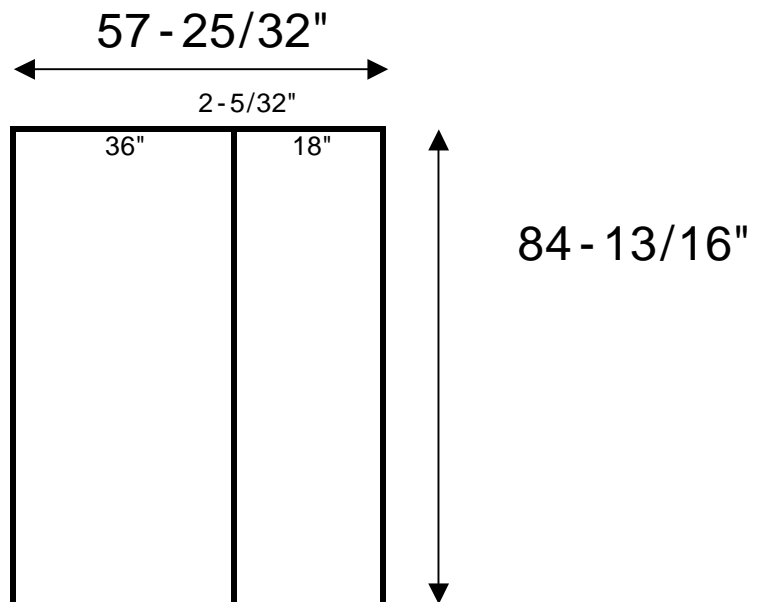


ROUGH OPENINGS

DOOR FRAME WITH SIDELITE TO FLOOR - - 300 SERIES - - RAISED STOP

WIDTH: 1 - 5/8" wider than combination of: Door Opening plus frame/sidelite mullion (2 - 5/32") plus Sidelite Opening.
Do not factor in Vertical Mullions.

HEIGHT: 13/16" higher than Door Opening. Do not factor in Horizontal Mullions



example
3'0 x 7'0 door frame
18" sidelite to floor

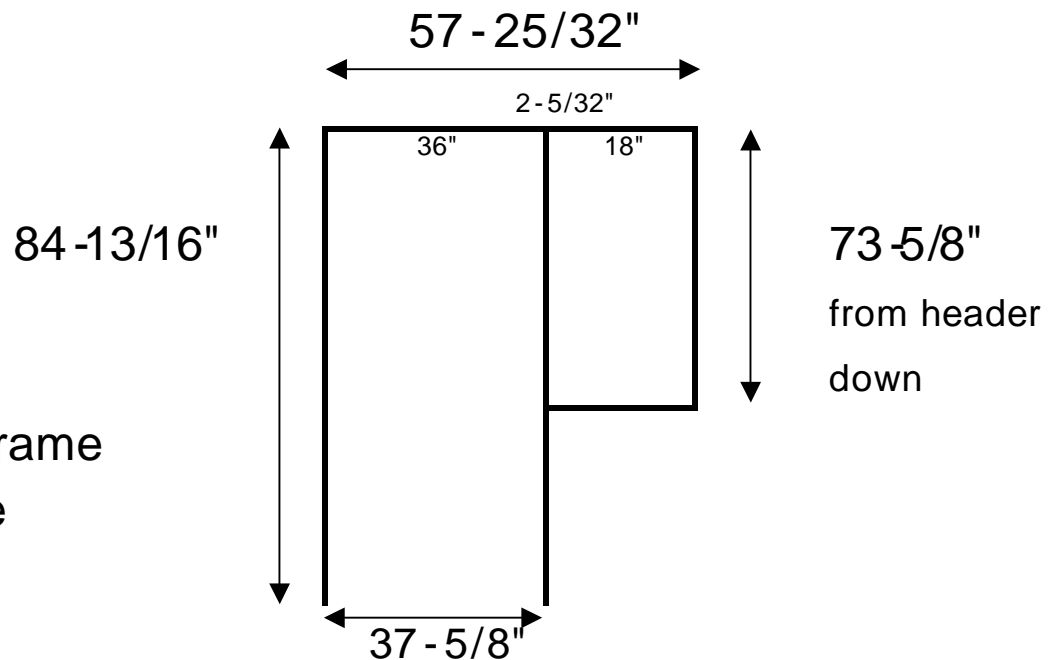
ROUGH OPENINGS

DOOR FRAME WITH SIDELITE TO WALL - - 300 SERIES - - RAISED STOP

WIDTH: 1 - 5/8" wider than combination of: Door Opening plus frame/sidelite mullion (2 - 5/32") plus Sidelite Opening.
 Do not factor in Vertical Mullions.

HEIGHT: 13/16" higher than Door Opening.
 1 - 5/8" larger than Sidelite Opening. Do not factor in Horizontal Mullions

example
 3'0 x 7'0 door frame
 18" x 72" sidelite



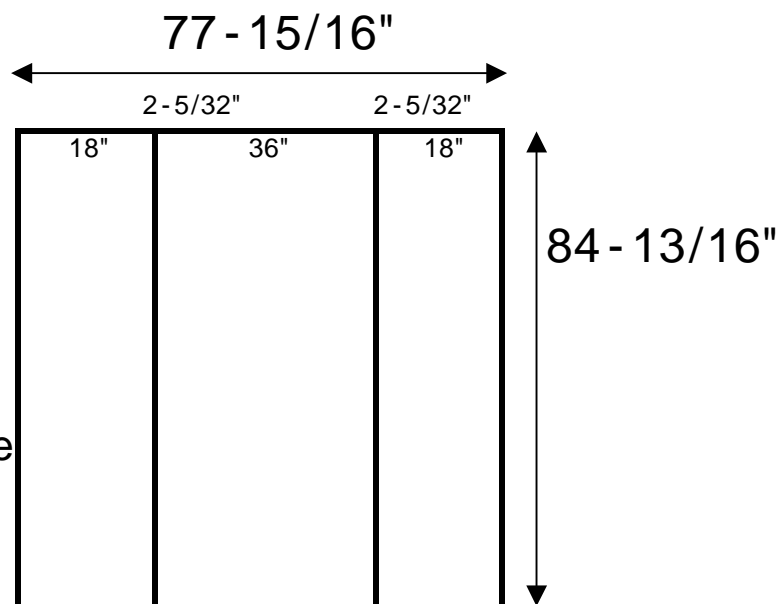
ROUGH OPENINGS

DOOR FRAME WITH SIDELITE TO FLOOR EACH SIDE - - 300 SERIES - - RAISED STOP

WIDTH: 1 - 5/8" wider than combination of: Door Opening plus frame/sidelite mullion (25/32") plus Sidelite Opening.
Do not factor in Vertical Mullions.

HEIGHT: 13/16" higher than Door Opening. Do not factor in Horizontal Mullions

example
3'0 x 7'0 door frame
18" sidelite to floor
each side

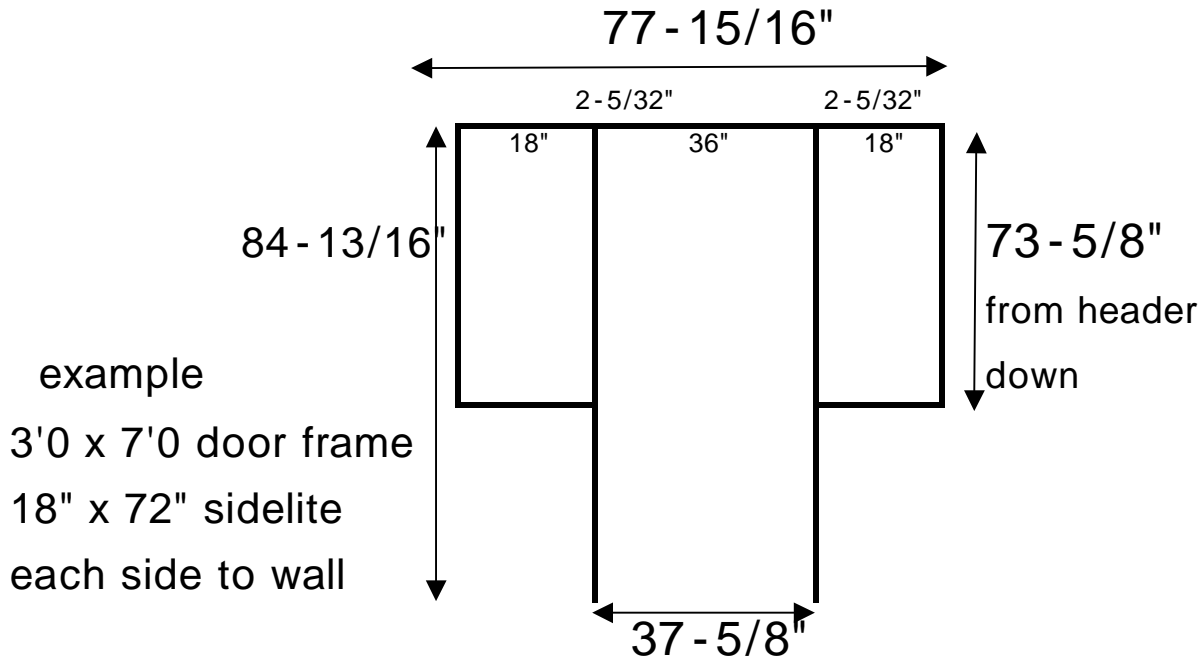


ROUGH OPENINGS

DOOR FRAME WITH SIDELITE TO WALL EACH SIDE -- 300 SERIES -- RAISED STOP

WIDTH: 1 - 5/8" wider than combination of: Door Opening plus frame/sidelite mullion (2 - 5/32") plus Sidelite Opening. Do not factor in Vertical Mullions.

HEIGHT: 13/16" higher than Door Opening.
 1 - 5/8" larger than Sidelite Opening. Do not factor in Horizontal Mullions



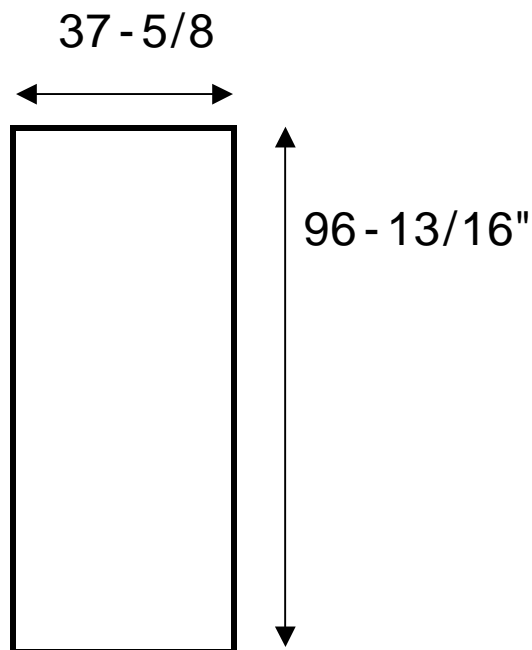
ROUGH OPENINGS

RELIGHT TO FLOOR - - 200 SERIES

WIDTH: 1 - 5/8" wider than Window Opening.
Do not factor in Vertical Mullions

HEIGHT: 13/16" higher than Window Opening.
Do not factor in Horizontal Mullions

example
3'0 x 8'0



ROUGH OPENINGS

RELIGHT TO WALL - - 200 SERIES

WIDTH: 1 - 5/8" wider than Window Opening.

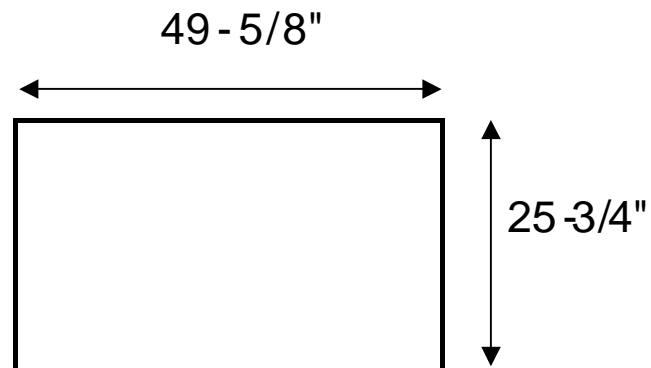
Do not factor in Vertical Mullions

HEIGHT: 1 - 3/4" higher than Window Opening

Do not factor in Horizontal Mullions

INVERT STUDS AT HEADER AND GLAZING JAMB (See Cross Sections H, I, J, K)

example
4'0 x 2'0



ROUGH OPENINGS

RELIGHT TO FLOOR -- 300 SERIES -- RAISED STOP

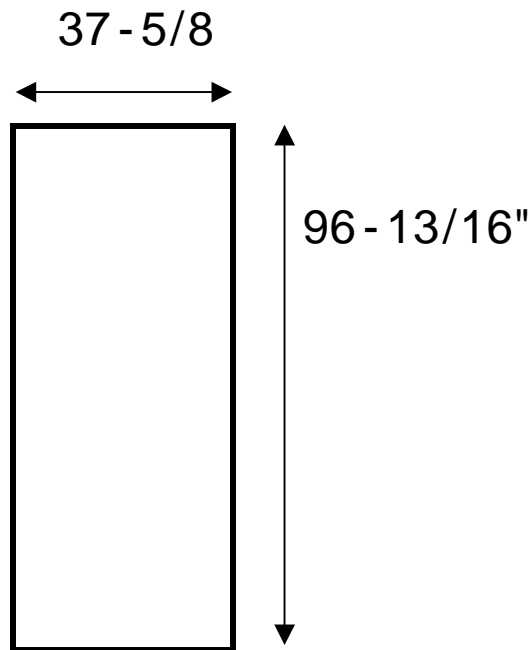
WIDTH: 1 - 5/8" wider than Window Opening.

Do not factor in Vertical Mullions

HEIGHT: 13/16" higher than Window Opening.

Do not factor in Horizontal Mullions

example
3'0 x 8'0



ROUGH OPENINGS

RELIGHT TO WALL - - 300 SERIES - - RAISED STOP

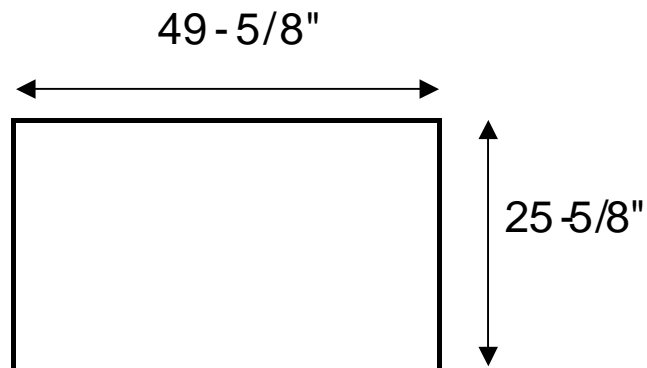
WIDTH: 1 - 5/8" wider than Window Opening.

Do not factor in Vertical Mullions

HEIGHT: 1 - 5/8" higher than Window Opening

Do not factor in Horizontal Mullions

example
4'0 x 2'0



Installation of SMR[®] Delta Door Frame with Milled Jamb and Mitered Trim

1) Rough Opening: Width 1-5/8" wider than desired door width and 13/16" higher than desired door height.

2) **NOTE:** Care is required in fastening drywall to rough opening framing to avoid exposure of screw heads after frame is installed.

3) If rough opening is framed with steel stud and runner track as header (legs down), notch and extend header track upwards and screw to stud.

Caution: Framing attachment screws, Type S-12 low profile head, must not cause wall board to bulge.

4) Unpack frame and check packing list against contents.

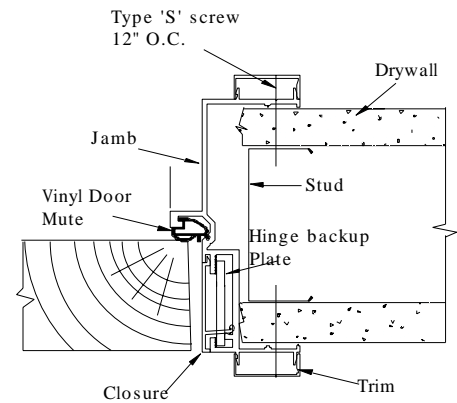
5) Determine centerline of door at floor and head. Mark wall at head of rough opening for ends of Header when centered.

6) Center and level head section and secure to wall with standard Type S drywall screws at each end and 12" o.c. maximum.

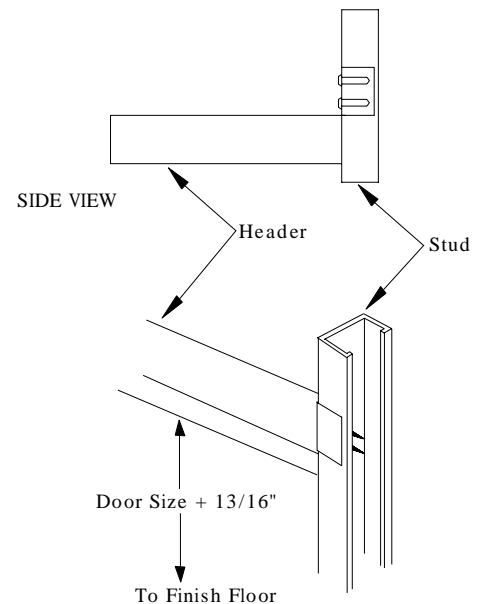
7) Determine high side of floor and cut Jambs to required heights to compensate for any floor variation. Jambs are supplied approximately 1" over length to allow for "field cutting" to exact length.

8) Position both Jambs tight to Header. Secure head section to Jambs with the four (4) steel Corner Clips provided, using 1/2" Type S-12 pan head screws. The long leg of the clip attaches to Jamb leg and fits snugly between extruded trim projections.

9) Plumb Jambs and secure to wall. Screws should be spaced 2" from ends, and no greater than 12" o.c.

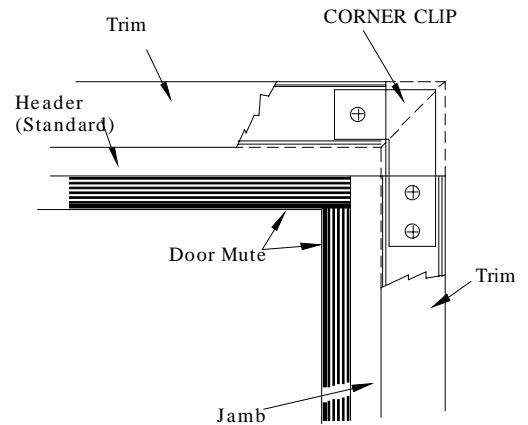


SMR[®] DELTA DOOR FRAME



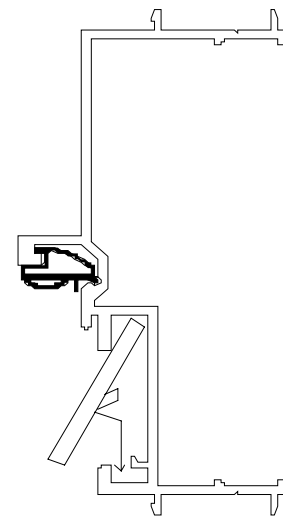
ROUGH OPENING DETAIL

- 10) The 1 3/4" door leaf should be mortised with a 5/16" backset. Shop mortising of leaf, and shop installation of 4 1/2" hinges to leaf is possible with this frame and is more economical than field mortising.
- 11) After attaching full hinges to door leaf, block door leaf to desired height above floor and with desired clearance at head. Snap Hinge Backup Plates into channel, as shown on "Installation of Backup Plate" detail, secure butts to Hinge Backup Plates using 1/2" x 12-24 screws. Use wax or soap on screws and No. 3 Phillips bit to avoid stripping screw heads. Secure OUTSIDE screws first. The door leaf can be adjusted up or down to desired position by loosening screws in Hinge Backup Plates. Tightening the screws locks the Hinge Backup Plate securely in place.



STANDARD HEAD DETAIL

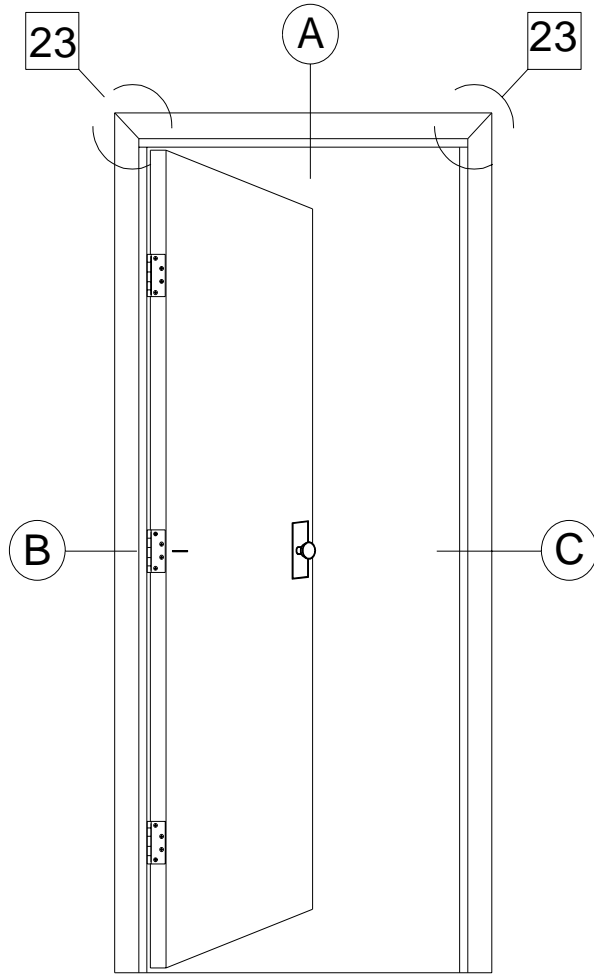
- 12) Measure, cut and snap in Closure on hinge side.
- 13) Establish centerline of strike and install Strike Plate supplied.
- 14) With Strike Plate installed, measure, cut and snap in Closure on strike side.
- 15) Trim for Header is supplied cut to exact length and mitered at both ends. Install Header Trim.
- 16) Trim for Jambs is supplied mitered on one end and 1" over-length to allow for floor variations. Cut Trim to required length and snap on Trim after door leaf is hung. Trim should fit snugly. If there is a tendency to rattle, give full length a slight twist before installing.
- 17) Trim removal: Use wood chisel, bevel side down to pry-off Trim.
- 18) If necessary to clean aluminum, use water with mild detergent. No abrasive or caustic cleaning agent should be used.



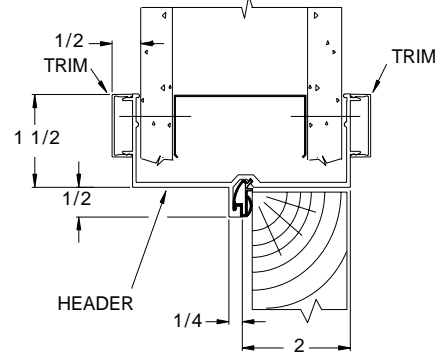
INSTALLATION OF BACKUP PLATE

*IF YOU HAVE SELECTED THE PRE-MORTISED ALTERNATIVE, THE HINGE BACK-UP PLATES, CLOSURE AND STRIKE PLATE HAVE BEEN FACTORY INSTALLED PER YOUR SPECIFICATIONS.

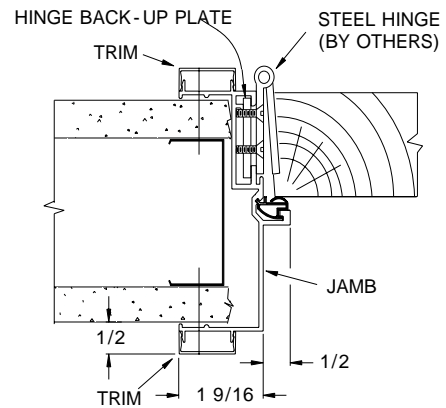
SMR Delta Door Frames are protected by:
 U.S. Patent #3,287,856 as well as patents in other countries



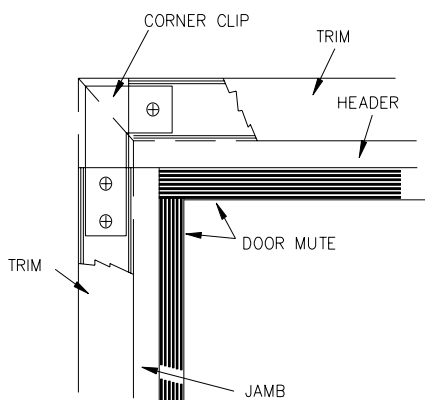
ELEVATION



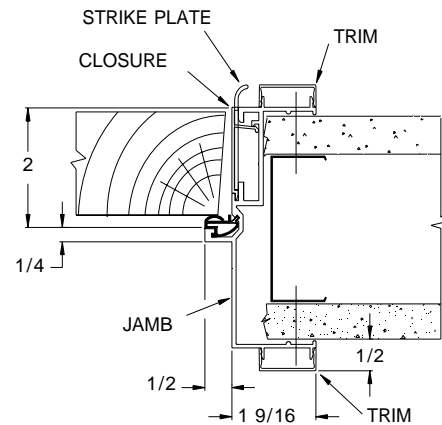
CROSS SECTION A



CROSS SECTION B



JOINT DETAIL 23

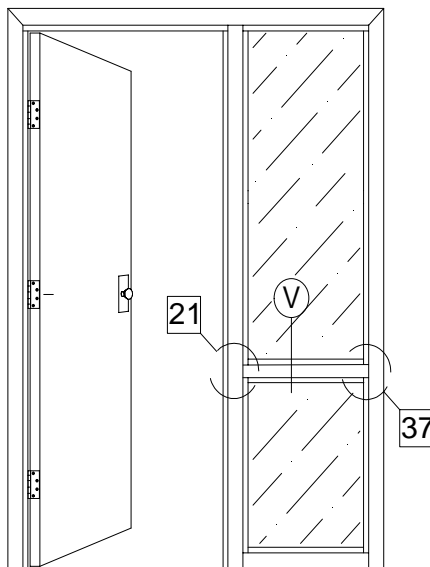


CROSS SECTION C

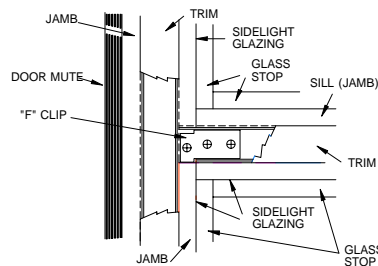
Installation of 300 SERIES Horizontal Mullion

- 1) Install Mullions
 - a. Assemble the Glazing Jamb and Sidelight Glazing per Cross Section V.
 - b. Mount the F Clips (2 each) shown in Joint Detail 21 & 37 to the Mullion on one face only.
 - c. Mark the desired location of the Mullion on the Sidelight Glazing and on the Glazing Jamb on the sidelight or relight.
 - d. Position the Mullion between the Sidelight Glazing and Glazing Jamb and secure one F Clip only to one of the vertical members.
 - e. Check for level, adjust and secure the other F Clip.
 - f. Install the remaining F Clips (2 each) on the opposite face
 - g. Snap in the Glass Stop as shown in Cross Section V.
 - h. Return to the Installation Instructions for the sidelight or relight.

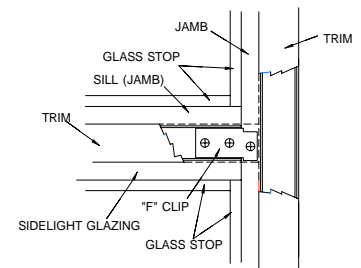
- 2) Install Horizontal Mullion Trim (Install After Vertical Trim has been installed.)
 - a. Locate the Horizontal Mullion Trim. (2 each pieces, square cut at both ends)
 - b. Install per Cross Section V, keeping the Trim tight to both Vertical Trim members, per Joint Detail 21 & 37.



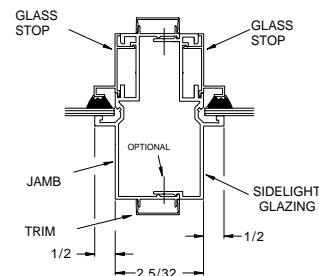
ELEVATION



JOINT DETAIL 21



JOINT DETAIL 37

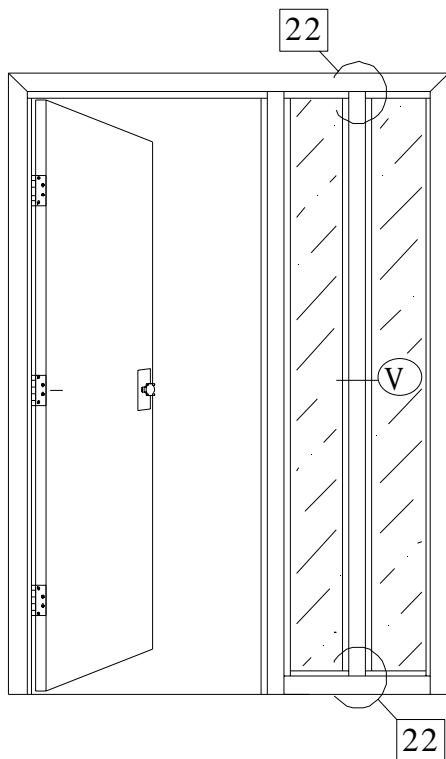


CROSS SECTION V

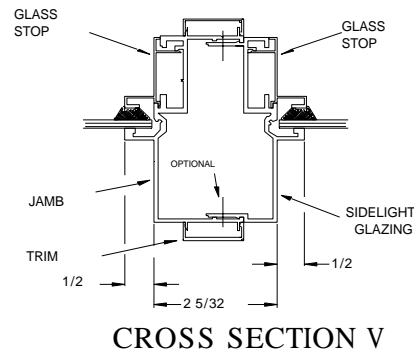
Installation of 300 SERIES Sidelight Vertical Mullion

- 1) Install Mullion
 - a. Assemble the Glazing channel and Sidelight Glazing per Cross Section V.
 - b. Mark the desired location of the Mullion on the Header and on the Base Blocking.
 - c. Mount the F Clips (2 each) shown in Joint Detail 22 to the Mullion on one face only.
 - d. Position the Mullion between the Header and Base Blocking and secure the top F Clip only.
 - e. Check for plumb (Vertical Level).
 - f. Install Glazing Base on to Blocking.
 - g. Install the remaining F Clips (4 each) on the Base and Vertical Mullion.
 - h. Return to the Insallation Instructions for the relight.

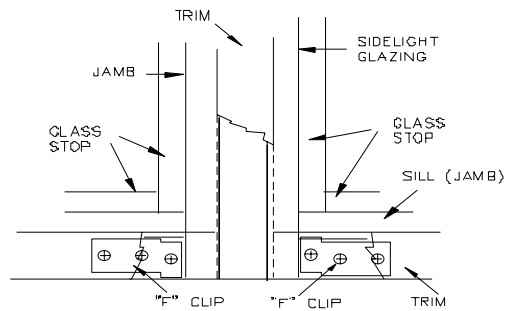
- 2) Install Vertical Mullion Trim (Install after Header and Sill Trim has been installed.)
 - a. Locate the Vertical Mullion Trim. (2 each pieces, square cut at both ends)
 - b. Measure the required length needed and cut the Vertical Mullion Trim, if necessary
 - c. Install per Cross Section V.



ELEVATION



CROSS SECTION V



JOINT DETAIL 22

Installation of SMR[®] Delta 300 SERIES 3pc Door Frame / Sidelight to Floor Combination

Rough Opening: Width 1-5/8" wider than combination of Door Opening plus frame/sidelight mullion (2-5/32") plus Sidelight Opening. Do not factor in Vertical Mullions.
Height 13/16" higher than Door Opening. Do not factor in Horizontal Mullions.

- 1) Install Header
 - a. Wrap Header over the wall as shown in Cross Section D & F, equal distant from Rough Opening.
- 2) Install Jambs
 - a. Cut to size if unit not ordered "Cut Net"
 - b. Determine the top of the Hinge Jamb, if not premortised.
 - c. Wrap the Hinge Jamb over the wall as shown in Cross Section B.
 - d. Wrap the Glazing Jamb over the wall as shown in Cross Section T.
- 3) Level and Secure Header
 - a. Pull the Header down tight to the Hinge Jamb and Glazing Jamb, keeping the Header equal distant from Rough Opening, and adjusting the Hinge Jamb and Glazing Jamb as needed to achieve a tight fit. See Joint Detail 13 & 16.
 - b. Check Header for Level and secure to Wall.
- 4) Plumb and Secure Hinge Jamb
 - a. Plumb (Vertical Level) the Hinge Jamb, keeping a tight corner fit and Header overlap as shown in Joint Detail 13.
 - b. Secure the Hinge Jamb to the wall.
 - c. Install Corner Clip (2 each) as shown in Joint Detail 13.
- 5) Plumb and Secure Glazing Jamb.
 - a. Plumb (Vertical Level) the Glazing Jamb, keeping a tight corner fit and Header overlap as shown in Joint Detail 16.
 - b. Adjust as needed.
 - c. Secure the Glazing Jamb to the wall.
 - d. Install Corner Clip (2 each) as shown in Joint Detail 16.
- 6) Install the Sidelight Mullion between the Door and Glass Jambs
 - a. Assemble the Strike Jamb and Sidelight Glazing per Cross Section U.
 - b. Determine the top of the Strike Jamb, if not premortised.
 - c. Secure the top of the Mullion Assembly with F CLIPS (2 each), tight to the Header as shown in Joint Detail 14.
- 7) Install Vertical Mullions Between Glass (If Required)
 - a. See "Installation Instructions for 300 SERIES Sidelight Vertical Mullion"

-
- 8) Install Glazing Sill
 - a. Secure Blocking (By Others) to floor as shown in Cross Section W, full length between the sidelight Mullion and Glazing Jamb.
 - b. Wrap the Glazing Sill over the Blocking tight to the Glazing Jamb and bring the Sidelight Mullion tight to the Glazing Sill both sides.
 - c. Check Sidelight Mullion for Plumb (Vertical Level) and adjust the Glazing Sill as needed.
 - d. Level and secure the Glazing Sill, tight to the Glazing Jamb as shown in Joint Detail 17, to the Blocking.
 - e. Secure each end of the Glazing Sill with F Clips (4 each) to the Glazing Jamb and Sidelight Glazing as shown in Joint Details 15 & 17.
 - f. Snap in the Glass Stop, as shown in Cross Section W. (If Vertical Glass to Glass Mullions are part of your unit, Glass Stop will be multiple pieces.)

 - 9) Install Snap-In Glass Stop.
 - a. Snap-in Glass Stop to Header as shown in Cross Section F above the glass opening.

 - 10) Install Horizontal Mullions Between Glass (If Required)
 - a. See “Installation Instructions for 300 SERIES Horizontal Mullion”

 - 11) Install Header Trim
 - a. Locate the Header Trim. (2 pieces, mitered at both ends).
 - b. Install per Cross Section D & F.

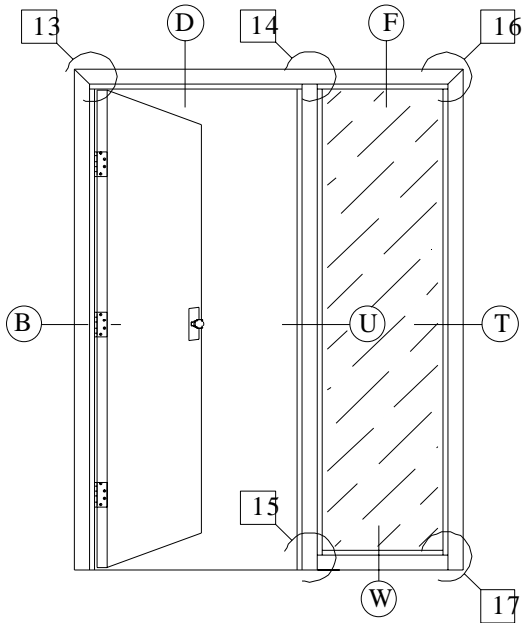
 - 12) Install Jamb Trim
 - a. Locate the Hinge Jamb & Glazing Jamb Trim. (4 pieces, mitered at one end only).
 - b. Cut to size if unit not ordered “Cut Net”
 - c. Install per Cross Section B & T, keeping the miter joint tight per Joint Detail 13 & 16.

 - 13) Install Vertical Sidelight Mullion Trim
 - a. Locate the Vertical Sidelight Mullion Trim. (2 pieces, square cut at both ends).
 - b. Cut to size if unit not ordered “Cut Net”
 - c. Install per Cross Section U, keeping top of Trim tight to the Header Trim, per Joint Detail 14.

 - 14) Install Glazing Sill Trim
 - a. Locate the Glazing Sill Trim. (2 pieces, square cut at both ends).
 - b. Install per Cross Section W, keeping the Trim tight to both the Sidelight Mullion Trim and the Glazing Jamb Trim, per Joint Detail 15 & 17.

 - 15) Install Vertical Glass to Glass Mullion Trim (If Required)
 - a. See
 - b. “Installation Instructions for 300 SERIES Sidelight Vertical Mullion”.

 - 16) Install Horizontal Glass to Glass Mullion Trim (If Required)
 - a. See “Installation Instructions for 300 SERIES Horizontal Mullion”.
-



ELEVATION

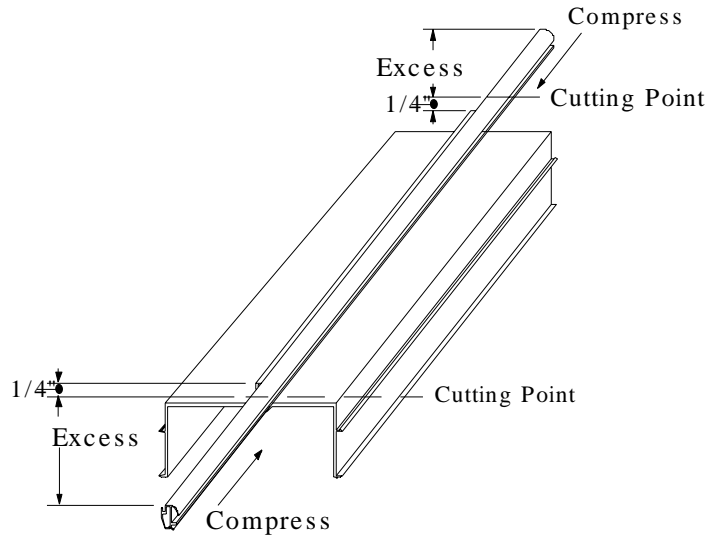
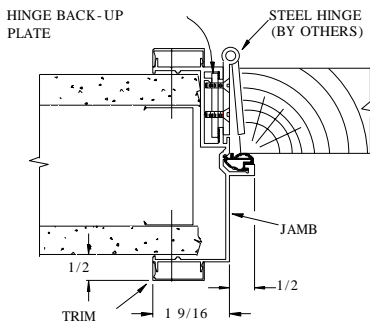
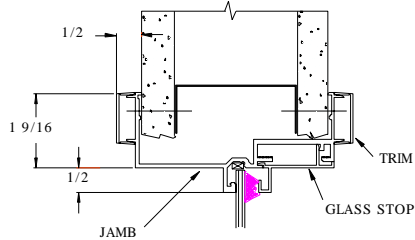


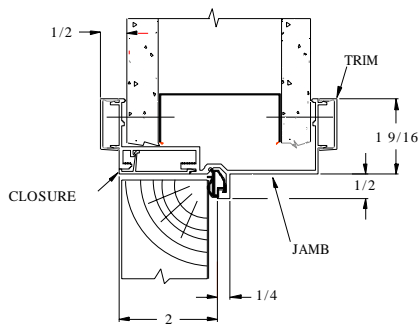
Fig. 3



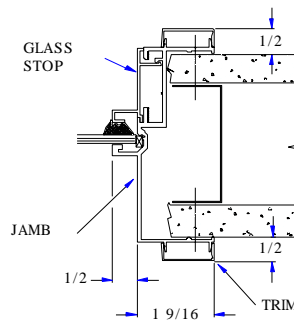
CROSS SECTION B



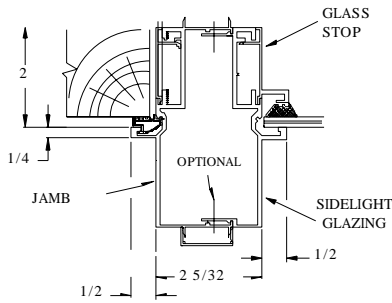
CROSS SECTION F



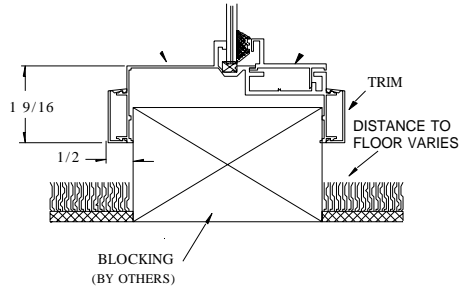
CROSS SECTION D



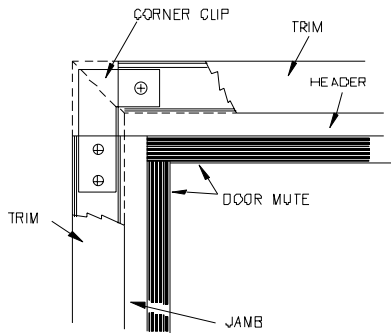
CROSS SECTION T



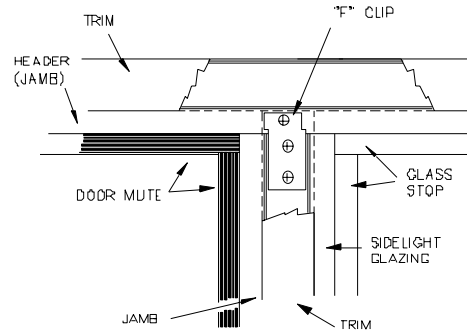
CROSS SECTION U



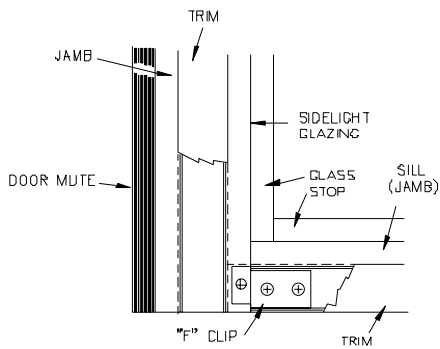
CROSS SECTION W



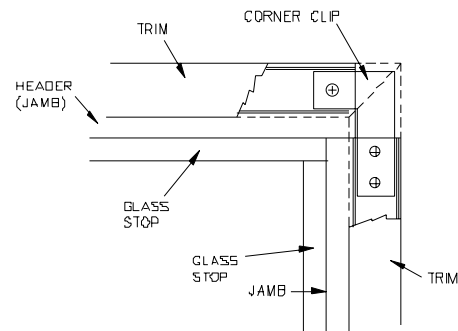
JOINT DETAIL 13



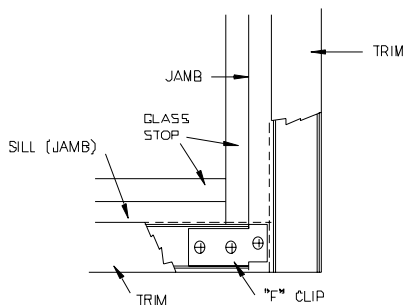
JOINT DETAIL 14



JOINT DETAIL 15



JOINT DETAIL 16

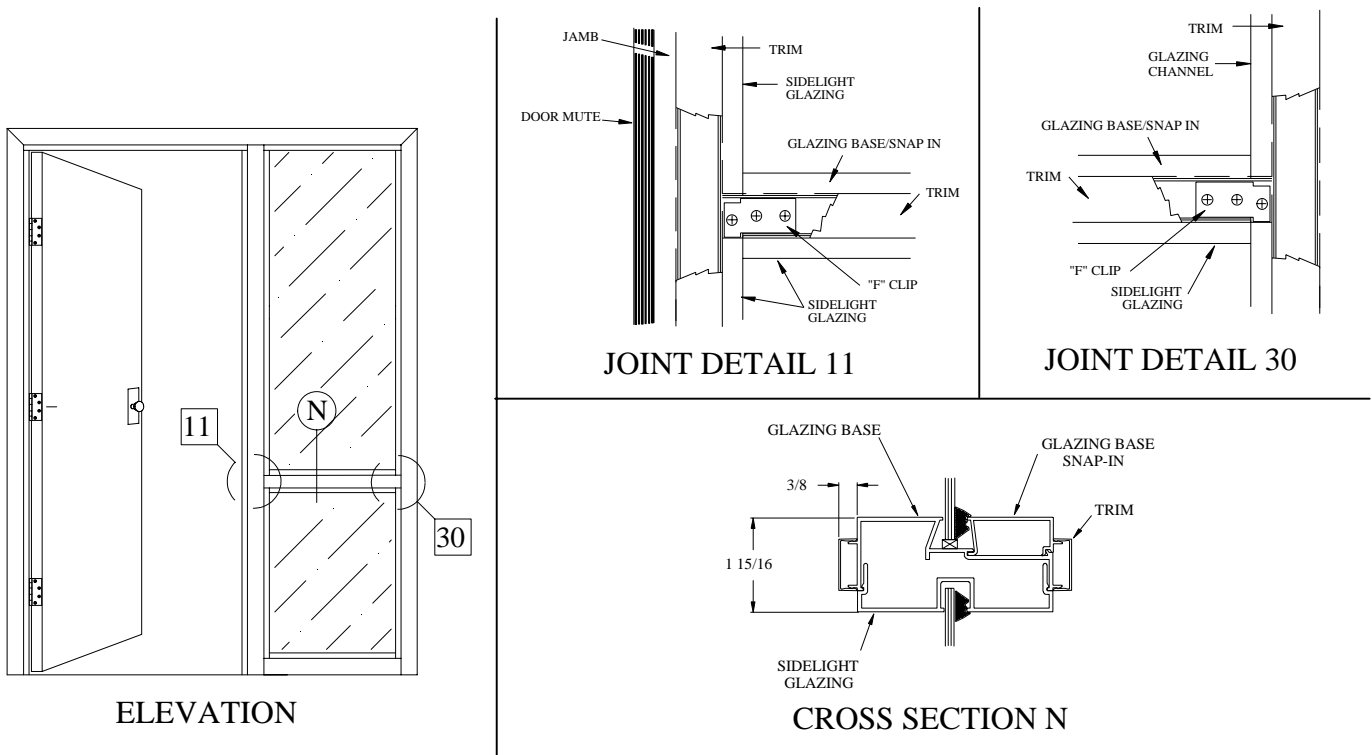


JOINT DETAIL 17

Installation of 200 SERIES Horizontal Mullion

- 1) Install Mullions
 - a. Assemble the Glazing Base and Sidelight Glazing per Cross Section N.
 - b. Mount the F Clips (2 each) shown in Joint Detail 11 & 30 to the Mullion on one face only.
 - c. Mark the desired location of the Mullion on the Sidelight Glazing and on the Glazing Channel of the sidelight or relight.
 - d. Position the Mullion between the Sidelight Glazing and Glazing Channel and secure one F Clip only to one of the vertical members.
 - e. Check for level, adjust and secure the other F Clip.
 - f. Install the remaining F Clips (2 each) on the opposite face.
 - g. Snap in the Glazing Base Snap-in as shown in Cross Section N.
 - h. Return to the Installation Instructions for the sidelight or relight.

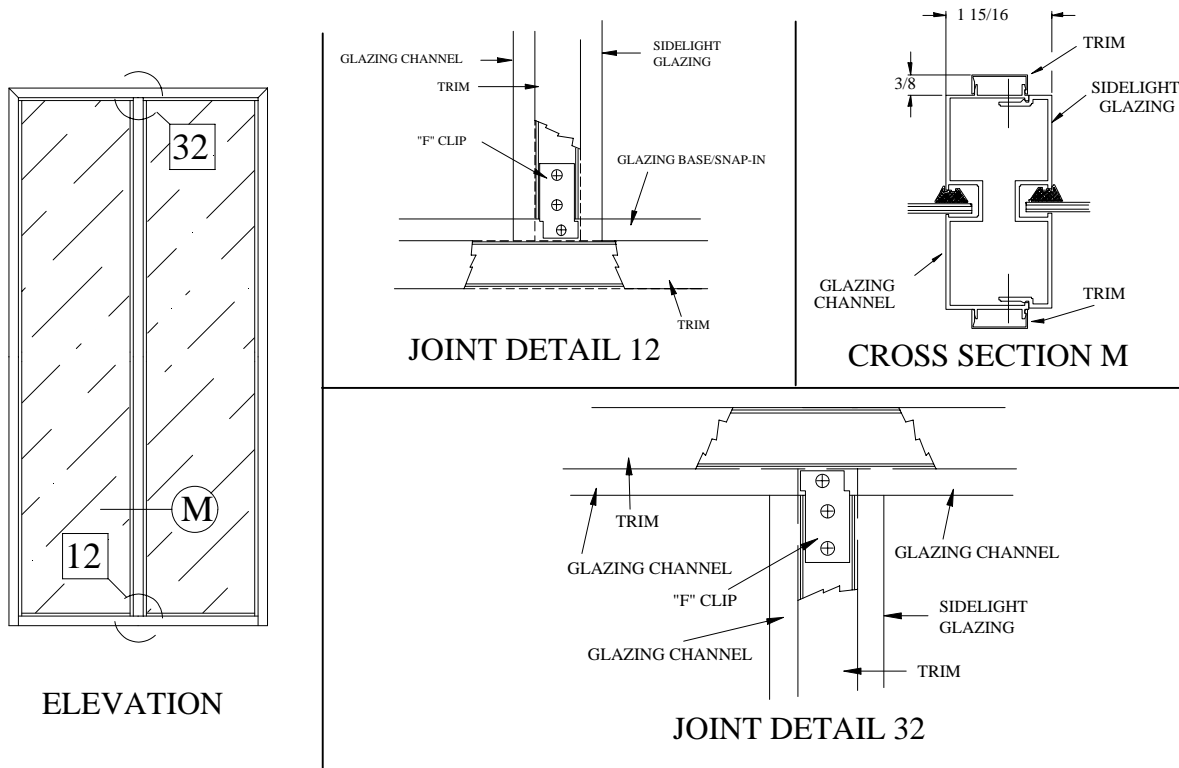
- 2) Install Horizontal Mullion Trim (Install After Vertical Trim has been installed.)
 - a. Locate the Horizontal Mullion Trim. (2 each pieces, square cut at both ends)
 - b. Install per Cross Section N, keeping the Trim tight to both Vertical Trim members, per Joint Detail 11 & 30.



Installation of 200 SERIES Relight Vertical Mullion

- 1) Install Mullion
 - a. Mark the desired location of the Mullion on the Header Glazing Channel and on the Glazing Base.
 - b. Measure the opening and cut the Vertical Mullion, at head only, if necessary. Mullion is notched to fit glazing base.
 - c. Mount the F Clips (2 each) shown in Joint Detail 12 & 32 to the Mullion on one face only.
 - d. Position the Mullion between the Header Glazing Channel and Glazing Base and secure the bottom F Clip only.
 - e. Check for plumb (Vertical Level), adjust and secure the other F CLIP.
 - f. Install the remaining F Clips (2 each) on the opposite face.
 - g. Return to the Installation Instructions for the relight.

- 2) Install Vertical Mullion Trim (Install after Header and Sill Trim has been installed.)
 - a. Locate the Vertical Mullion Trim. (2 each pieces, square cut at both ends)
 - b. Measure the required length needed and cut the Vertical Mullion Trim, if necessary.
 - c. Install per Cross Section M.



Installation of SMR[®] Delta 200 SERIES Relight Frame to Wall

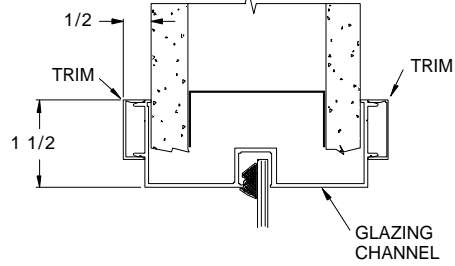
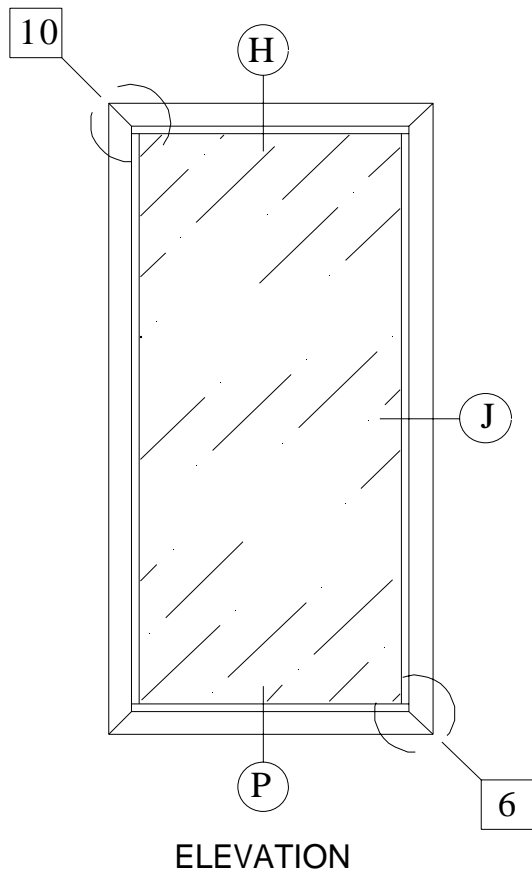
Rough Opening: Width 1-5/8" wider than window inside opening
Height 1-3/4" larger than window inside opening
Studs must have Pocket Facing Out

- 1) Install Header
 - a. Wrap the Header Glazing Channel over the wall as shown in Cross Section H, equal distant from each end of the Rough Opening.
- 2) Install Glazing Jambs
 - a. Wrap the Glazing Channels (2 each) over the wall as shown in Cross Section J. Glazing Jambs set under Head and overlap Glazing Base 9/16". Loosely set Corner Clips (4 each) as shown in Joint Detail 10 and square Head and Glazing Jambs
- 3) Install Glazing Base
 - a. Wrap the Glazing Base over the wall as shown in Cross Section P between Glazing Jambs. Loosely set Corner Clips (4 each) as shown in Joint Detail 6 and square Base and Glazing Jambs.
- 4) Level and Secure Header
 - a. Level the Header Glazing Channel and secure to wall.
- 5) Secure Glazing Base
 - a. Level the Glazing Base and secure to wall.
- 6) Plumb Jambs
 - a. Plumb (Vertical Level) the Glazing Jambs keeping a tight corner fit with Header and Glazing Base. Secure Glazing Jambs to wall.
 - b. Secure Corner Clips (8 each) as shown in Joint Details 6 & 10.
- 7) Install Vertical Mullions Between Glass (If Required)
 - a. See "Installations Instructions for 200 SERIES Vertical Mullions"
- 8) Install Horizontal Mullions Between Glass (If Required)
 - a. See "Installations Instructions for 200 SERIES Horizontal Mullions"
- 9) Install Header Trim
 - a. Locate the Header Trim. (2 pieces, mitered at both ends).
 - b. Install per Cross Section H, centering the short side of the Trim on the Header Glazing Channel.
- 10) Install Glazing Jamb Trim
 - a. Locate the Glazing Jamb Trim. (4 pieces, mitered at both ends).
 - b. Install per Cross Section J, keeping the miter joint tight per Joint Detail 10.

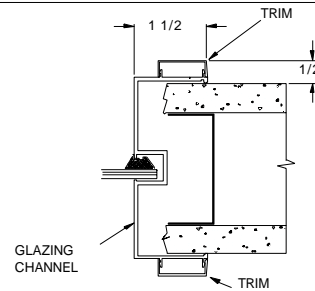
- 11) Install Glazing Base Trim
 - a. Locate the Glazing Base Trim. (2 pieces, mitered at both ends).
 - b. IF Vertical Mullions have been installed the base trim must be notched to accept vertical mullion trim nubs.
 - c. Install per Cross Section P keeping the miter joint tight per Joint Detail 6.

- 12) Install Vertical Glass to Glass Mullion Trim (If Required)
 - a. See “Installations Instructions for 200 SERIES Vertical Mullions”

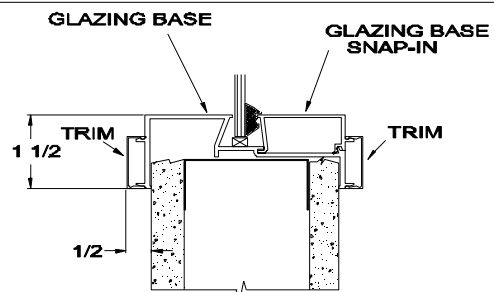
- 13) Install Horizontal Glass to Glass Mullion Trim (If Required)
 - a. See “Installations Instructions for 200 SERIES Horizontal Mullions”



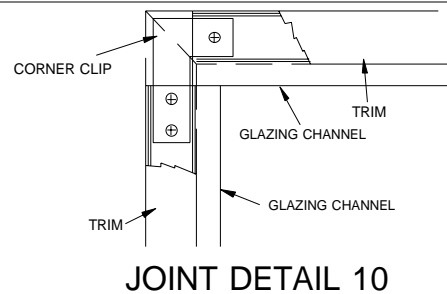
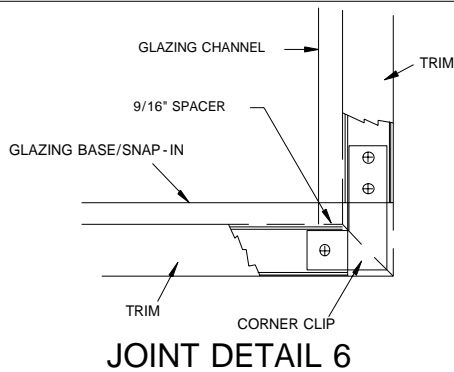
CROSS SECTION H



CROSS SECTION J



CROSS SECTION P



Installation of SMR[®] Delta 200 SERIES Relight Frame to Floor

Rough Opening: Width 1-5/8" wider than window inside opening
Height 13/16" higher than window inside opening
Studs must have Pocket Facing Out

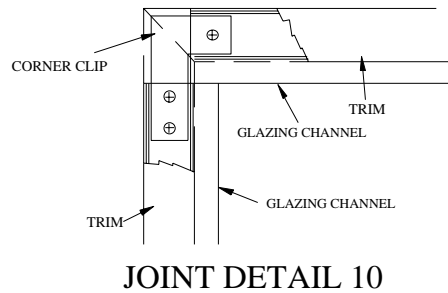
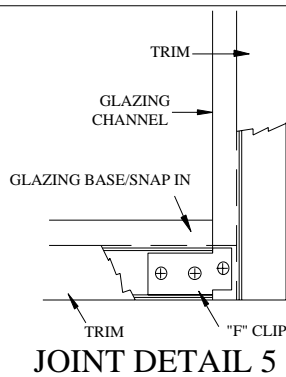
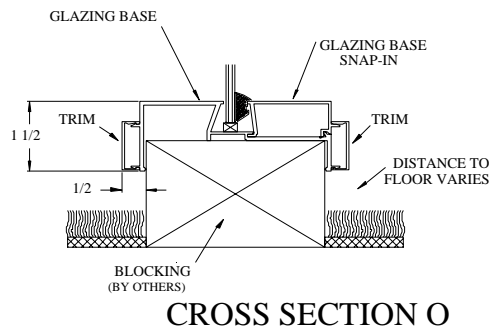
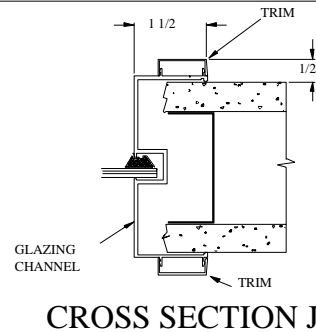
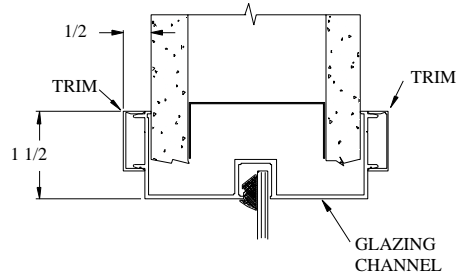
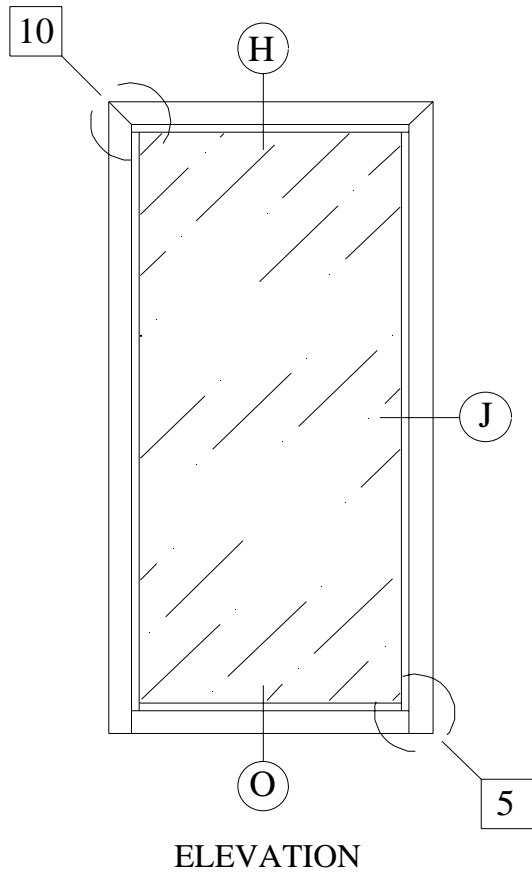
- 1) Install Header
 - a. Wrap the Header Glazing Channel over the wall as shown in Cross Section H, equal distant from Rough Opening.
- 2) Install Glazing Jambs
 - a. Cut to size if unit was not ordered "Cut Net".
 - b. Wrap the Glazing Channel (2 each) over the wall as shown in Cross Section J. The Glazing Jambs set under Header and overlap Glazing Base to Floor.
- 3) Level and Secure Header
 - a. Pull the Header Glazing Channel down tight to both of the Glazing Jambs, keeping the Header equal distant from each end of the Rough Opening, and adjusting the Jambs as needed to achieve a tight fit. See Joint Detail 10.
 - b. Check Header Glazing Channel for Level and secure to wall.
- 4) Install Glazing Base
 - a. Secure Blocking (by others) to floor as shown in Cross Section O, full length between the Glazing Jambs.
 - b. Wrap the Glazing Base over the Blocking tight to the Glazing Jamb at each end.
 - c. Level and secure the Glazing Base to the Blocking.
 - d. Secure each end of the Glazing Base with F Clips (4 each) to the Glazing Channel as shown in Joint Detail 5.
- 5) Plumb and Secure Jambs
 - a. Plumb (Vertical Level) the Glazing Jambs, keeping a tight corner fit with Header Glazing Channel overlap as shown in Joint Detail 10.
 - b. Secure both of the Glazing Jambs to the wall.
 - c. Install Corner Clip (4 each) as shown in Joint Detail 10.
- 6) Install Vertical Mullions Between Glass (If Required)
 - a. See "Installation Instructions for 200 SERIES Relight Vertical Mullion"
- 7) Install Horizontal Mullions Between Glass (If Required)
 - a. See "Installation Instructions for 200 SERIES Horizontal Mullion"
- 8) Install Header Trim
 - a. Locate the Header Trim. (2 pieces, mitered at both ends).
 - b. Install per Cross Section H, centering the short side of the Trim on the Header Glazing Channel.

- 9) Install Glazing Jamb Trim
 - a. Locate the Glazing Jamb Trim. (4 pieces, mitered at one end only).
 - b. Cut to size if unit was not ordered "Cut Net".
 - c. Install per Cross Section J, keeping the miter joint tight per Joint Detail 10.

- 10) Install Glazing Base Trim
 - a. Locate the Glazing Base Trim. (2 pieces, square cut at both ends).
 - b. Install per Cross Section O, keeping the Trim tight to the Glazing Jamb Trim, per Joint Detail 5.

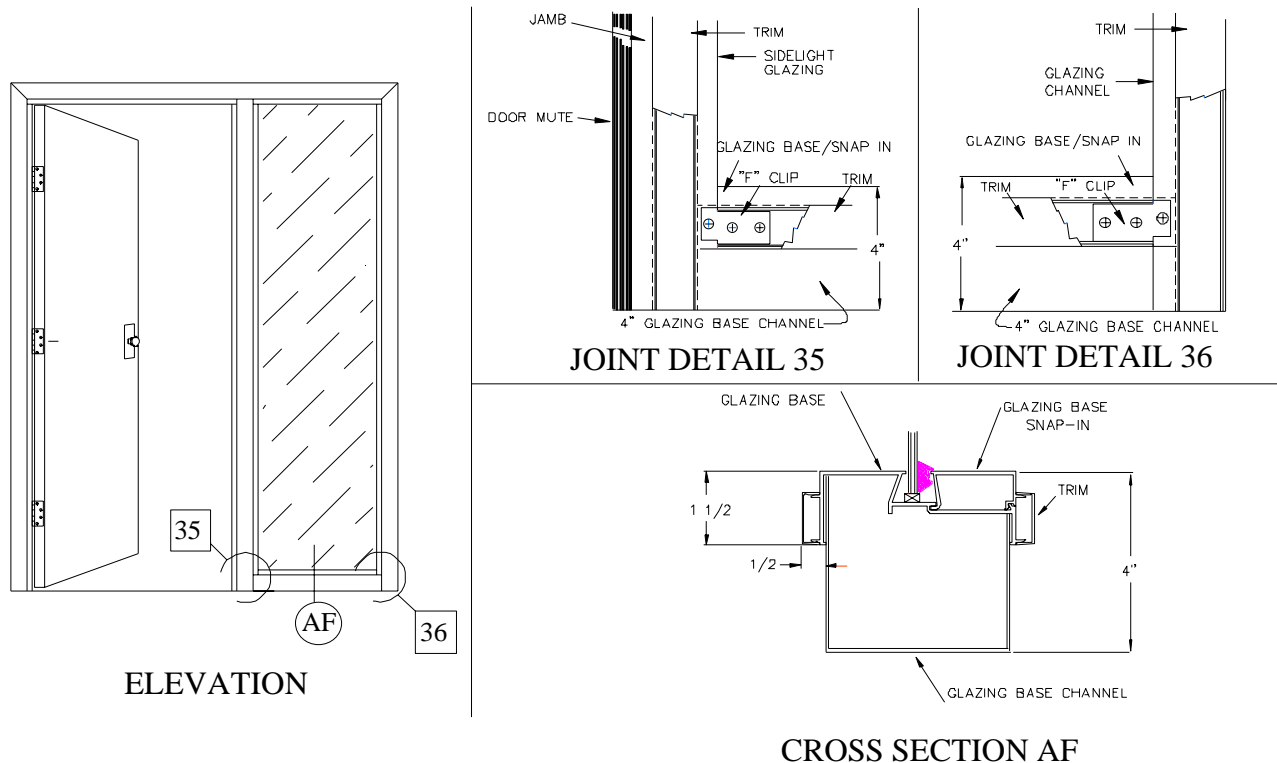
- 11) Install Vertical Glass to Glass Mullion Trim (If Required)
 - a. See "Installation Instructions for 200 SERIES Relight Vertical Mullion"

- 12) Install Horizontal Glass to Glass Mullion Trim (If Required)
 - a. See "Installation Instructions for 200 SERIES Horizontal Mullion"



Installation of 200 SERIES 4 Inch Glazing Base Channel

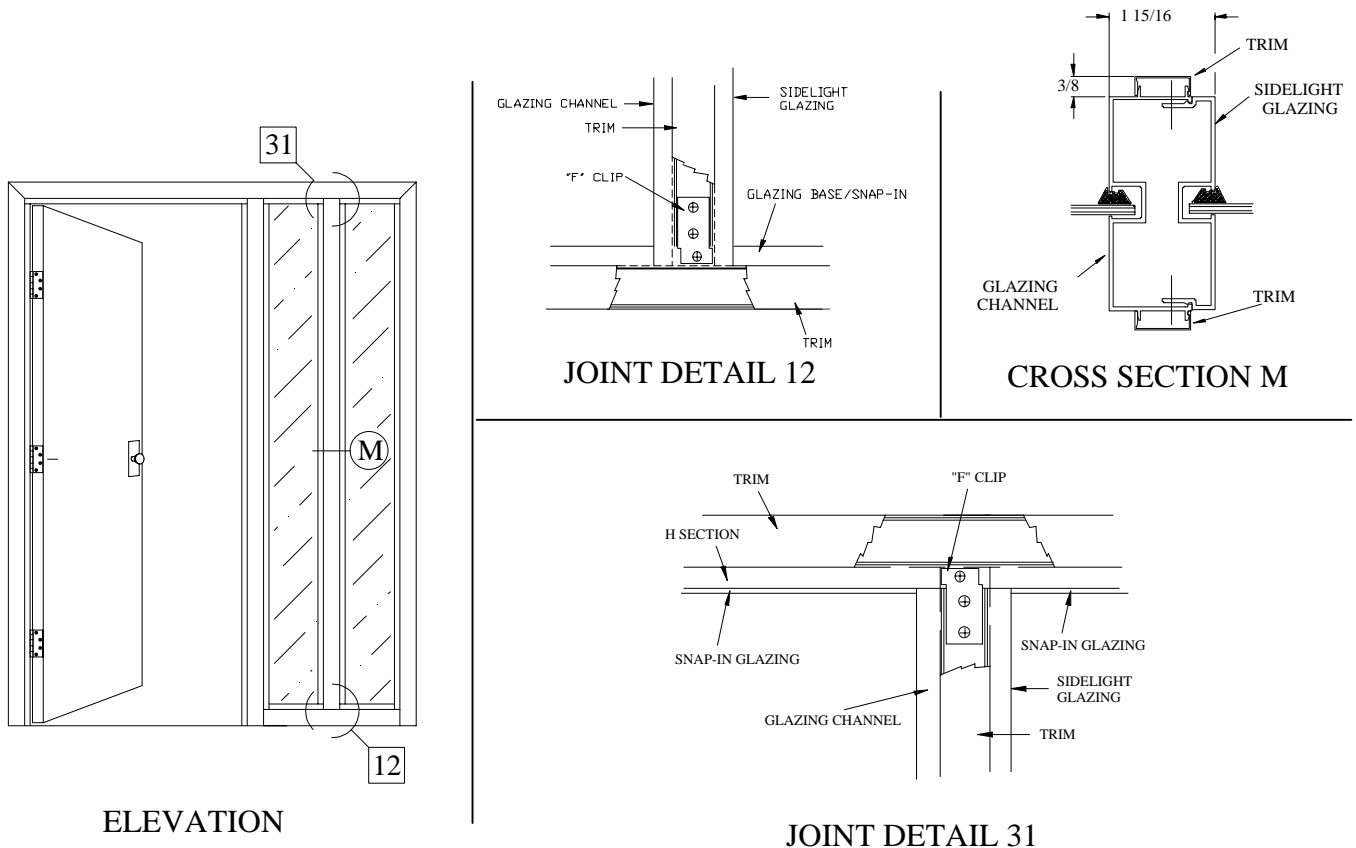
- 1) Install 4 Inch Glazing Base Channel (Install after vertical Glazing Channel and before the Door Frame Mullion has been installed.) USE OF SECURE FLOOR ANCHORS ("Red Head's", Lag Bolts, etc.) WILL BE REQUIRED AND MUST BE SUPPLIED BY OTHERS.
 - a. Note that the Glazing Base Channel has one long leg and one short leg. See Cross Section AF.
 - b. Position one end of the Glazing Base Channel, so that the short leg will be under the removable stop (Snap-in Glazing Base) portion of the Glazing Base when complete, tight and flush with the vertical Glazing Channel as shown in Joint Detail 36.
 - c. Align / plumb the Glazing Base Channel with the door frame Jamb, and secure the Glazing Base Channel to the floor.
 - d. Measure for height (from the bottom of the H Section to the top of the short leg of the Glazing Base Channel and cut the Sidelight Glazing component of the Door Frame Mullion.
 - e. Assemble and install the Door Frame Mullion per the Sidelight directions.
 - f. Slide the Door Frame Mullion Jamb component over the end of the Glazing Base Channel as shown in Joint Detail 35.
 - g. Check the Door Frame Mullion for plumb (Vertical Level), adjust and secure to the Glazing Base Channel.
 - h. Return to the Installation Instructions for the sidelight.



Installation of 200 SERIES Sidelight Vertical Mullion

- 1) Install Mullion
 - a. Mark the desired location of the Mullion on the H-Section and on the Glazing Base of the sidelight.
 - b. Measure the opening and cut the Vertical Mullion, at head only, if necessary. Mullion is notched to fit glazing base.
 - c. Mount the F Clips (2 each) shown in Joint Detail 12 & 31 to the Mullion on one face only.
 - d. Position the Mullion between the H-Section and Glazing Base and secure the bottom F Clip only.
 - e. Check for plumb (Vertical Level), adjust and secure the other F Clip.
 - f. Install the remaining F Clips (2 each) on the opposite face.
 - g. Return to the Installation Instructions for the sidelight.

- 2) Install Vertical Mullion Trim (Install after Header and Sill Trim has been installed.)
 - a. Locate the Vertical Mullion Trim. (2 each pieces, square cut at both ends)
 - b. Measure the required length needed and cut the Vertical Mullion Trim, if necessary.
 - c. Install per Cross Section M.



SUPPLEMENTAL
Installation Instructions for SMR[®] Delta 200 SERIES
Door / Sidelight to Floor Combination with
Segmented / Angled Sidelight for Field Cutting

- 1) Prior to beginning installation
 - a. A 12" Miter Saw with a good quality 60 Tooth Carbide Tip Blade is recommended.
 - b. It is also recommended that TEMPLATES and angle cuts be made for each Frame / Sidelight unit independently, as walls angles are not always consistent from one rough opening to another.
 - c. Create a TEMPLATE using lumber (by others) similar to the width and height of the components being installed. (A 2x6 works well.) The TEMPLATE should match the rough opening wall angle at the header.
 - d. Keep the saw set at the miter used to create the TEMPLATE throughout the cutting process listed below.

- 2) Assemble Header, Sill and Horizontal Mullion components
 - a. Review the standard installation sheets and determine all components needed for the Header, Sill and any Horizontal Mullions.
 - i. Keep in mind that 2 of every piece will be supplied for all horizontal components.
 - ii. These pieces are extra long for field cutting.
 - b. Assemble the Header, Sill and Horizontal Mullions complete, including all TRIM.
 - i. This will allow for one smooth and accurate cut through all of the material at one time.

- 3) Cut Assembled Header, Sill & Horizontal Mullion
 - a. Using the TEMPLATE as a reference, determine the ends of each assembly that will be mitered and mark accordingly.
 - i. Be sure to mark Horizontal Mullions for Top and/or Bottom as well.
 - b. Test cut the header material first, removing as little material as possible.
 - c. Check against the TEMPLATE, adjust and re-cut until a tight fit is achieved.
 - d. Cut the Sill and Horizontal Mullions to match.
 - e. Check that all miters are correct and reset saw to a square cut.

- 4) General Installation Information
 - a. DO NOT disassemble the mitered components until it is time to install them.
 - b. ALWAYS mark the TRIM when removed and be sure of its exact return location.
 - c. Follow the standard installation as usual, knowing that multiple pieces will be required at the Head, Sill and Horizontal Mullion conditions.

- 5) Header H-SECTION Installation
 - a. Disassemble and mark all Header components.
 - b. Measure for the required length of each piece of H-SECTION, from the outside point of the wall angle to the inside of the rough opening.
 - c. Cut the square ends of each H-SECTION to match each measurement.

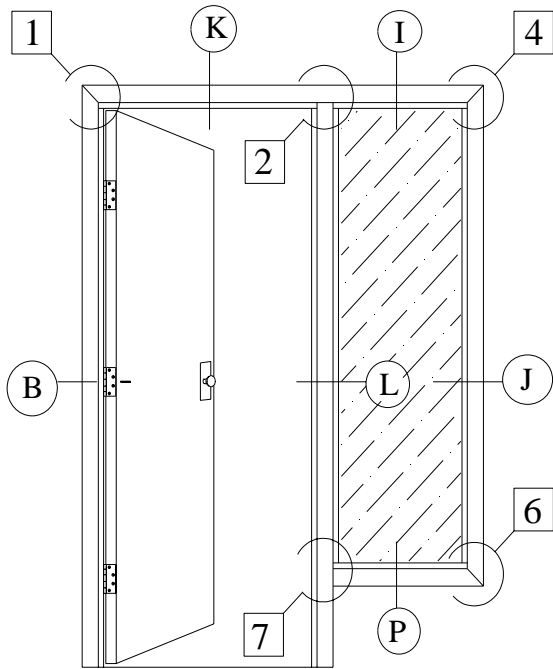
-
- d. Install over wall bringing the miter tight together.
 - e. Check to see if further cutting of the square ends of each H-SECTION will be required during installation of the jamb members.
 - f. Follow the balance of the standard installation instructions.
- 6) Glazing Base Installation
- a. Remove and mark the TRIM only from the Sill components.
 - b. Measure for the required length of each piece of GLAZING BASE (with GLAZING BASE SNAP-IN).
 - c. Cut the square ends of each GLAZING BASE (with GLAZING BASE SNAP-IN) to match each measurement.
 - d. Install over BLOCKING (by others) bringing the miter tight together.
 - e. Follow the balance of the standard installation instructions.
- 7) Horizontal Mullion Installation
- a. Horizontal Mullions can only be installed in a progressive manor, during the glass installation.
 - b. Remove and mark the TRIM only from the Horizontal Mullion components.
 - c. Measure for the required length of each mullion.
 - d. Cut the square ends of each Mullion to match each measurement.
 - e. Install the glass below the Mullion location.
 - f. Install the Mullion over the glass, using glazing shims (by others) to level the mullion into the desired position and achieving a tight miter at the wall angle corner.
 - g. Secure the Mullion to the vertical members with F CLIPS.
 - h. Follow the balance of the standard installation instructions.
- 8) TRIM Installation
- a. Be sure to match up all wall mitered TRIM to their exact location.
 - b. Install TRIM in the proper sequence per the standard installation instructions, cutting as required.

Installation of SMR[®] Delta 200 SERIES Door Frame / Sidelight to Wall Combination

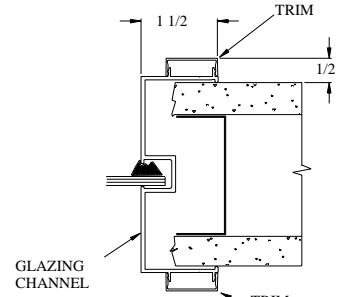
Rough Opening: Width 1-5/8" wider than combination of Door Opening plus frame/sidelight mullion (2") plus Sidelight Opening. Do not factor in Vertical Mullions.
Height 13/16" higher than Door Opening. Do not factor in Horizontal Mullions.

- 1) Door Mute
 - a. Compress the Door Mute into the Snap-In Head and Jambs by pushing the excess mute at each end.
 - b. Trim the remaining mute (if any) with 1/4" remaining beyond each end. (Compress the extra 1/4" into the jambs and header during installation)
- 2) Install Header
 - a. Wrap H-Section over the wall as shown in Cross Section I & K, equal distant from Rough Opening.
- 3) Install Jambs
 - a. Cut to size if unit not ordered "Cut Net"
 - b. Determine the top of the Hinge Jamb.
 - c. Wrap the Hinge Jamb over the wall as shown in Cross Section B.
 - d. Wrap the Glazing Channel over the wall as shown in Cross Section J.
- 4) Level and Secure Header
 - a. Pull the H-Section down tight to the Hinge Jamb and Glazing Channel, keeping the H-Section equal distant from Rough Opening, and adjusting the Hinge Jamb and Glazing Channel as needed to achieve a tight fit. See Joint Detail 1 & 4.
 - b. Check H-Section for Level and secure to wall.
- 5) Plumb and Secure Hinge Jamb
 - a. Plumb (Vertical Level) the Hinge Jamb, keeping a tight corner fit and H-Section overlap as shown in Joint Detail 1.
 - b. Secure the Hinge Jamb to the wall.
 - c. Install Corner Clip (2 each) as shown in Joint Detail 1.
- 6) Plumb and Secure Glazing Channel
 - a. Plumb (Vertical Level) the Glazing Channel, keeping a tight corner fit and H-Section overlap as shown in Joint Detail 4.
 - b. Adjust as needed.
 - c. Secure the Glazing Channel to the wall.
 - d. Install Corner Clip (2 each) as shown in Joint Detail 4.
- 7) Install Door Header
 - a. Snap-in Head to H-Section over door opening, per Cross Section K, tight to the Hinge Jamb.
- 8) Install the Sidelight Mullion between the Door and Glass

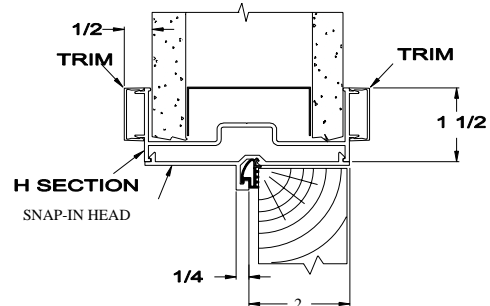
-
- a. Assemble the Strike Jamb and Sidelight Glazing per Cross Section L.
 - b. Determine the top of the Strike Jamb.
 - c. Secure the top of the Mullion Assembly with F CLIPS (2 each), tight to the (2pc.) Header and H Section, as shown in Joint Detail 2.
- 9) Install Glazing Base
- a. Wrap the Glazing Base over the Wall tight to the Glazing Channel and bring the Sidelight Mullion tight to the Glazing Base.
 - b. Check Sidelight Mullion for Plumb (Vertical Level) and adjust the Glazing Base as needed.
 - c. Level and secure Glazing Base tight to Glazing Channel with corner clips as shown in Joint Detail 6. Secure Glazing Base to Wall.
 - d. Pull Strike Jamb tight to Glazing Base and secure to wall.
 - e. Snap in the Glazing Base Snap-in, as shown in Cross Section P. (If Vertical Glass to Glass Mullions are part of your unit, Glazing Base Snap-in will be multiple pieces.)
- 10) Install Vertical Mullions Between Glass (If Required)
- a. See “Installation Instructions for 200 SERIES Sidelight Vertical Mullion”
- 11) Install Snap-in Glazing
- a. Snap-in Glazing to H-Section as shown in Cross Section I above the glass opening.
- 12) Install Horizontal Mullions Between Glass (If Required)
- a. See “Installation Instructions for 200 SERIES Horizontal Mullion”
- 13) Install Header Trim
- a. Locate the Header Trim. (2 pieces, mitered at both ends).
 - b. Install per Cross Section I & K, centering the short side of the Trim on the H-Section.
- 14) Install Jamb Trim
- a. Locate the Jamb & Glazing Channel Trim.
 - b. Cut Jamb trim to size if unit not ordered “Cut Net”.
 - c. Install per Cross Section B & J, keeping the miter joint tight per Joint Detail 1, 4 & 6.
- 15) Install Vertical Sidelight Mullion Trim
- a. Locate the Vertical Sidelight Mullion Trim. (square cut at both ends).
 - b. Cut to size if unit not ordered “Cut Net”.
 - c. Install per Cross Section L, keeping top of Trim tight to the Header Trim, per Joint Detail 2.
- 16) Install Glazing Base Trim
- a. Locate the Glazing Base Trim. (miter cut at one end). Install per Cross Section P, keeping the Trim tight to both the Sidelight Mullion Trim and the Glazing Channel Trim, per Joint Detail 6 & 7.
- 17) Install Vertical Glass to Glass Mullion Trim (If Required)
- a. See “Installation Instructions for 200 SERIES Sidelight Vertical Mullion”
- 18) Install Horizontal Glass to Glass Mullion Trim (If Required)
- a. See “Installation Instructions for 200 SERIES Horizontal Mullion”



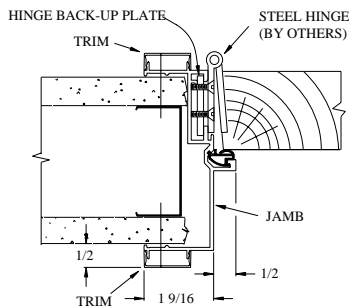
ELEVATION



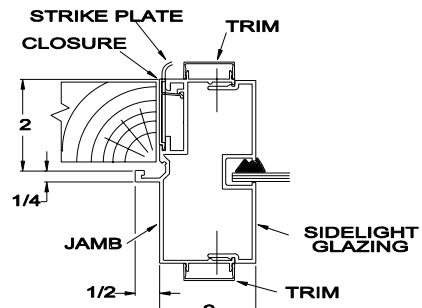
CROSS SECTION J



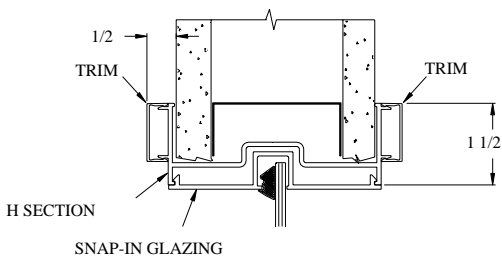
CROSS SECTION K



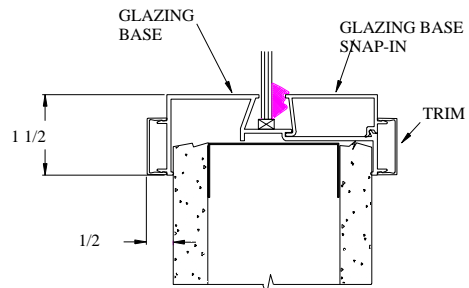
CROSS SECTION B



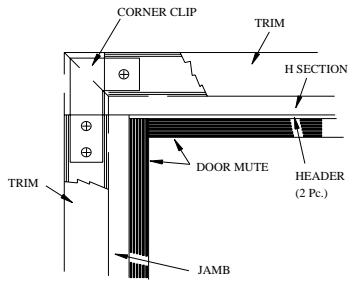
CROSS SECTION L



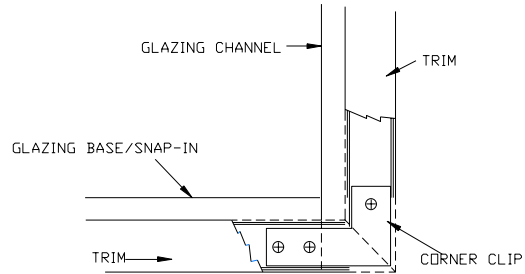
CROSS SECTION I



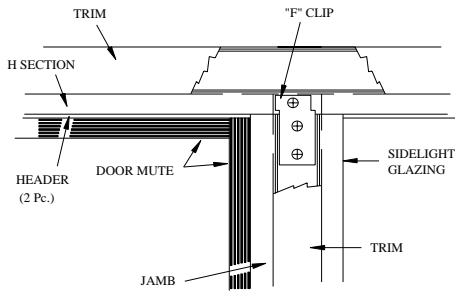
CROSS SECTION P



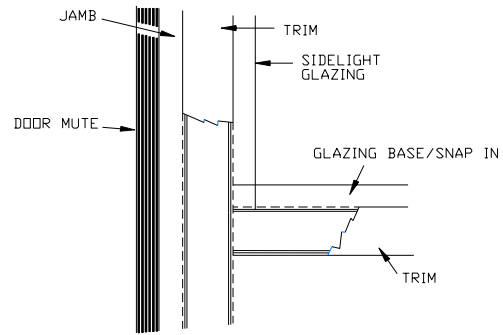
JOINT DETAIL 1



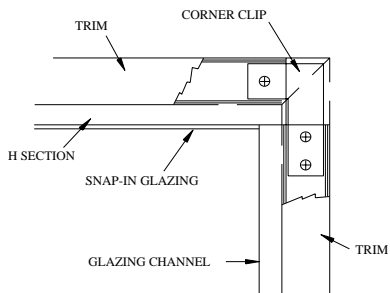
JOINT DETAIL 6



JOINT DETAIL 2



JOINT DETAIL 7



JOINT DETAIL 4

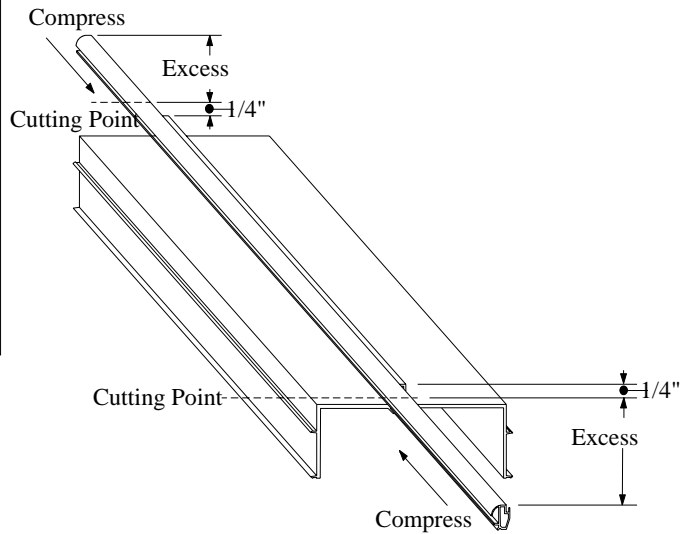


Fig. 3

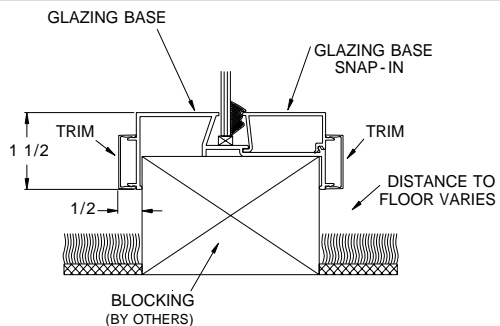
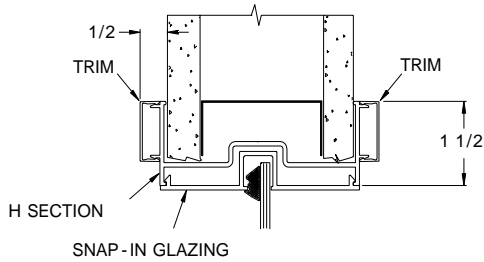
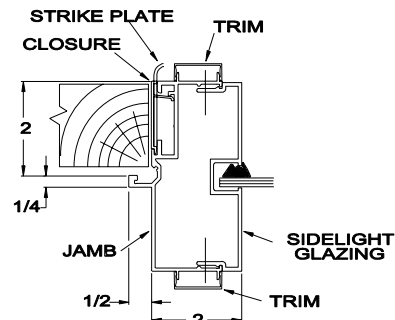
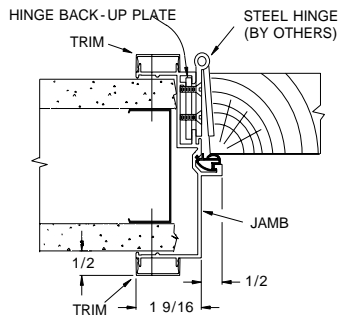
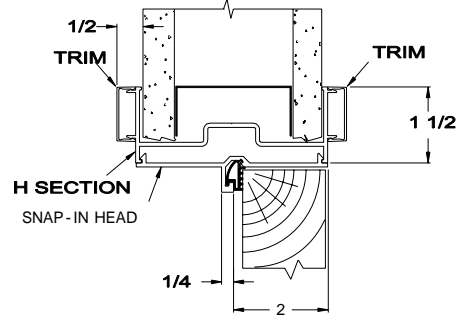
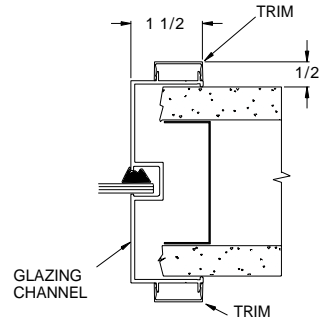
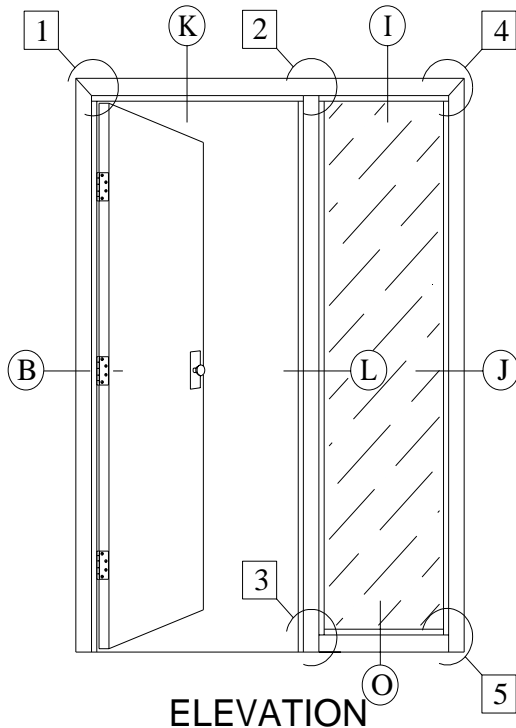
Installation of SMR[®] Delta 200 SERIES Door Frame / Sidelight to Floor Combination

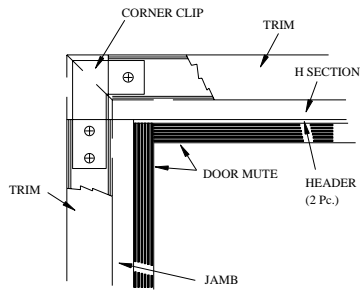
Rough Opening: Width 1-5/8" wider than combination of Door Opening plus frame/sidelight mullion (2") plus Sidelight Opening. Do not factor in Vertical Mullions.
Height 13/16" higher than Door Opening. Do not factor in Horizontal Mullions.

- 1) Door Mute
 - a. Compress the Door Mute into the Snap-In Head and Jambs by pushing the excess mute at each end into the stop. Fig. 1
 - b. Trim the remaining mute (if any) with 1/4" remaining beyond each end of the stop. (Compress the extra 1/4" into the jambs and header during installation)
- 2) Install Header
 - a. Wrap H-Section over the wall as shown in Cross Section I & K, equal distance from Rough Opening.
- 3) Install Jambs
 - a. Cut to size if unit not ordered "Cut Net"
 - b. Determine the top of the Hinge Jamb.
 - c. Wrap the Hinge Jamb over the wall as shown in Cross Section B.
 - d. Wrap the Glazing Channel over the wall as shown in Cross Section J.
- 4) Level and Secure Header
 - a. Pull the H-Section down tight to the Hinge Jamb and Glazing Channel, keeping the H-Section equal distant from Rough Opening, and adjusting the Hinge Jamb and Glazing Channel as needed to achieve a tight fit. See Joint Detail 1 & 4.
 - b. Check H-Section for Level and secure to wall.
- 5) Plumb and Secure Hinge Jamb
 - a. Plumb (Vertical Level) the Hinge Jamb, keeping a tight corner fit and H-Section overlap as shown in Joint Detail 1.
 - b. Secure the Hinge Jamb to the wall.
 - c. Install Corner Clip (2 each) as shown in Joint Detail 1.
- 6) Plumb and Secure Glazing Channel
 - a. Plumb (Vertical Level) the Glazing Channel, keeping a tight corner fit and H-Section overlap as shown in Joint Detail 4.
 - b. Secure the Glazing Channel to the wall.
 - c. Install Corner Clip (2 each) as shown in Joint Detail 4.
- 7) Install Door Header
 - a. Snap-in Head to H-Section over door opening, per Cross Section K, tight to the Hinge Jamb.
- 8) Install the Sidelight Mullion between the Door and Glass
 - a. Assemble the Strike Jamb and Sidelight Glazing per Cross Section L.

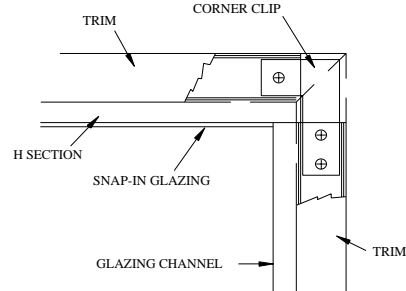
-
- b. Determine the top of the Strike Jamb.
 - c. Secure the top of the Mullion Assembly with F CLIPS (2 each), tight to the (2pc.) Header and H Section, as shown in Joint Detail 2.
- 9) Install Glazing Base
- a. Secure Blocking (By Others) to floor as shown in Cross Section O, full length between the Sidelight Mullion and Glazing Channel.
 - b. Wrap the Glazing Base over the Blocking tight to the Glazing Channel and bring the Sidelight Mullion tight to the Glazing Base.
 - c. Check Sidelight Mullion for Plumb (Vertical Level) and adjust the Glazing Base as needed.
 - d. Level and secure the Glazing Base, tight to the Glazing Channel as shown in Joint Detail 5, to the Blocking.
 - e. Secure each end of the Glazing Base with F Clips (4 each) to the Glazing Channel and Sidelight Glazing as shown in Joint Detail 3 & 5.
 - f. Snap in the Glazing Base Snap-in, as shown in Cross Section O. (If Vertical Glass to Glass Mullions are part of your unit, Glazing Base Snap-in will be multiple pieces.)
- 10) Install Vertical Mullions Between Glass (If Required)
- a. See “Installation Instructions for 200 SERIES Sidelight Vertical Mullion”
- 11) Install Snap-in Glazing
- a. Snap-in Glazing to H-Section as shown in Cross Section I above the glass opening.
- 12) Install Horizontal Mullions Between Glass (If Required)
- a. See “Installation Instructions for 200 SERIES Horizontal Mullion”
- 13) Install Header Trim
- a. Locate the Header Trim. (2 pieces, mitered at both ends).
 - b. Install per Cross Sections I & K, centering the short side of the Trim on the H-Section.
- 14) Install Jamb Trim
- a. Locate the Jamb & Glazing Channel Trim. (4 pieces, mitered at one end only).
 - b. Cut to size if unit not ordered “Cut Net”.
 - c. Install per Cross Sections B & J, keeping the miter joint tight per Joint Details 1 & 4.
- 15) Install Vertical Sidelight Mullion Trim
- a. Locate the Vertical Sidelight Mullion Trim. (2 pieces, square cut at both ends).
 - b. Cut to size if unit not ordered “Cut Net”.
 - c. Install per Cross Section L, keeping top of Trim tight to the Header Trim, per Joint Detail 2.
- 16) Install Glazing Base Trim
- a. Locate the Glazing Base Trim. (2 pieces, square cut at both ends).
 - b. Install per Cross Section O, keeping the Trim tight to both the Sidelight Mullion Trim and the Glazing Channel Trim, per Joint Detail 3 & 5.
- 17) Install Vertical Glass to Glass Mullion Trim (If Required)
- a. See “Installation Instructions for 200 SERIES Sidelight Vertical Mullion”

- 18) Install Horizontal Glass to Glass Mullion Trim (If Required)
 - a. See “Installation Instructions for 200 SERIES Horizontal Mullion”

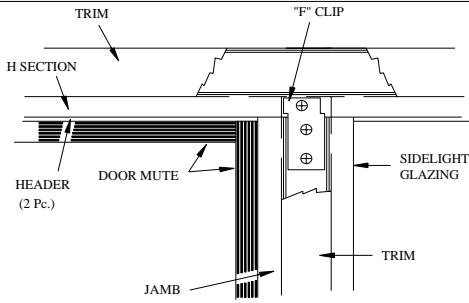




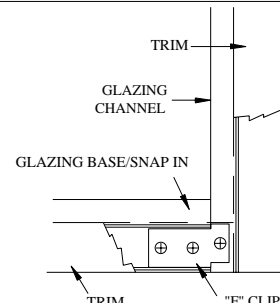
JOINT DETAIL 1



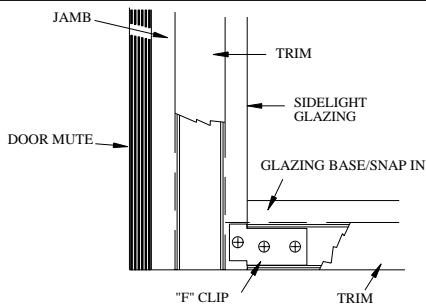
JOINT DETAIL 4



JOINT DETAIL 2



JOINT DETAIL 5



JOINT DETAIL 3

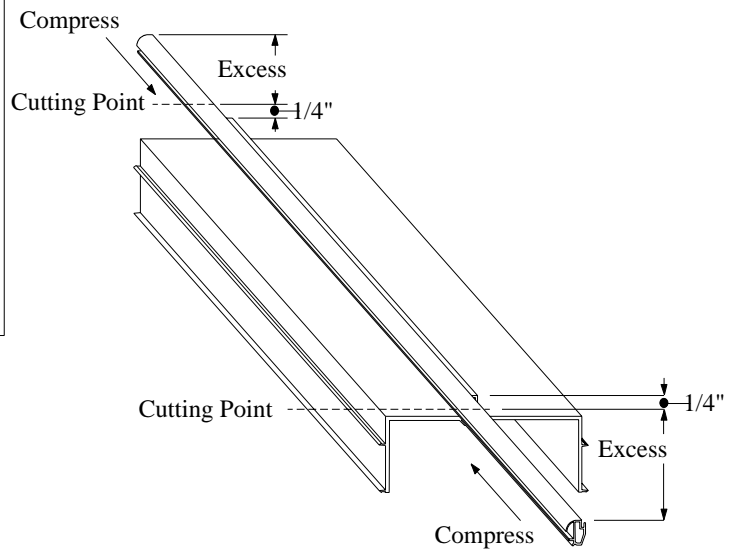
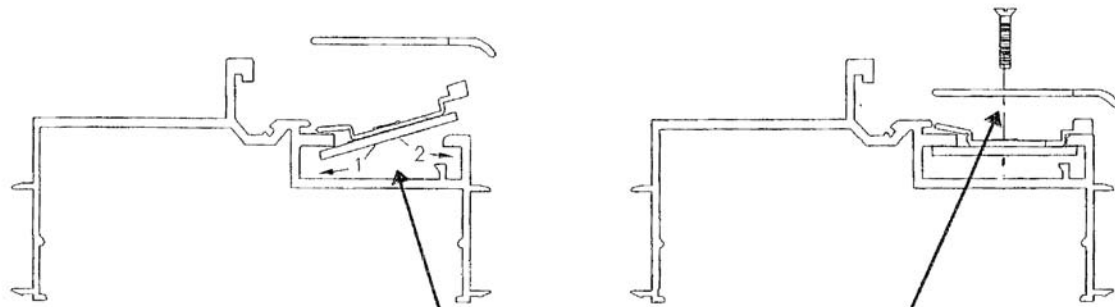
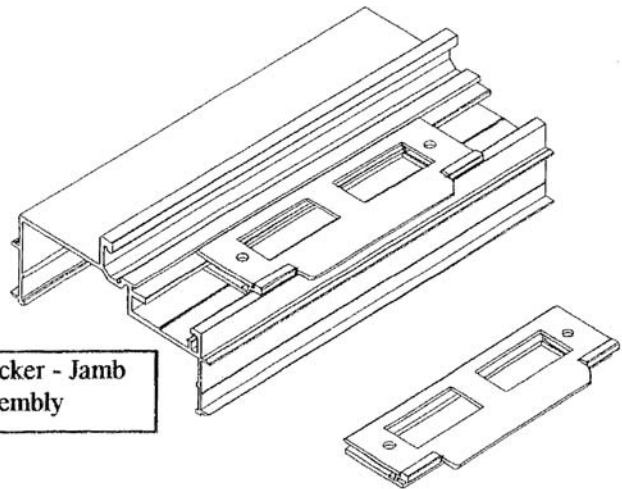
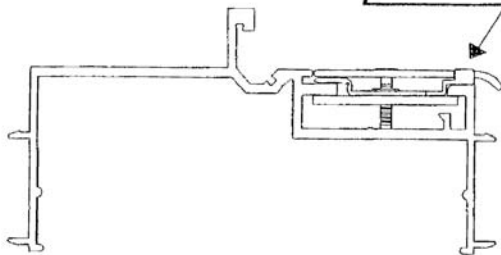


Fig. 1

INSTALLATION OF SMR[®] DELTA DOOR FRAME ASA STRIKE BACKER ASSEMBLY



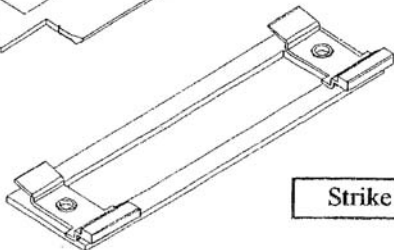
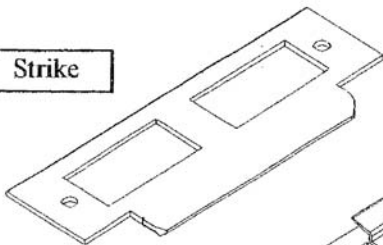
Strike Backer Assembly snaps into channel in jamb, and its secured using two 12-24 x 1/2" long flat head screws mounted through ASA Strike Plate. (supplied by others)



Strike

Strike Backer - Jamb Assembly

Strike Backer - Strike Assembly



Strike Backer

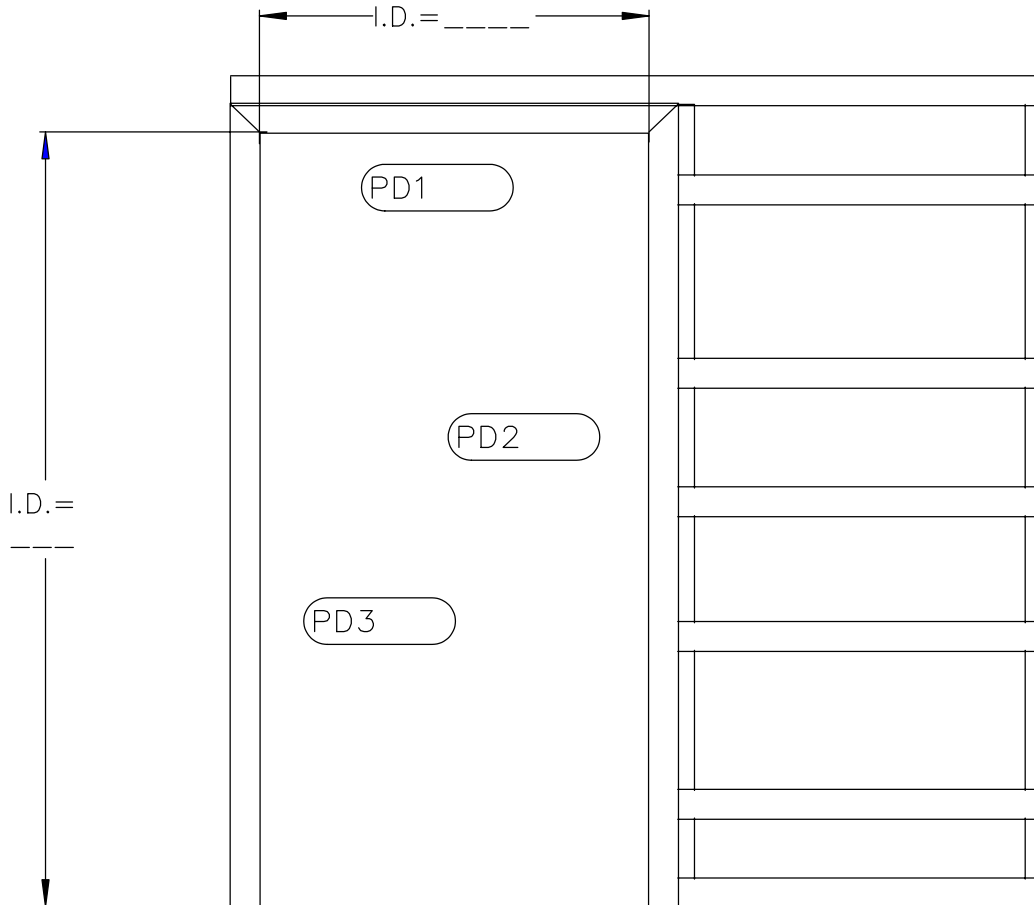
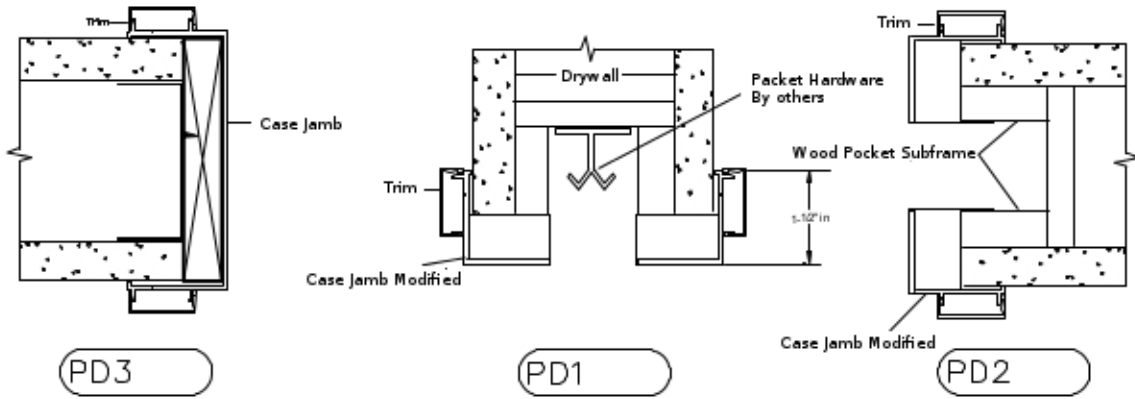
CUSTOMER: _____

ELEVATION: _____

POCKET DOOR FRAME

DATE: _____

4 7/8" WALL THICKNESS



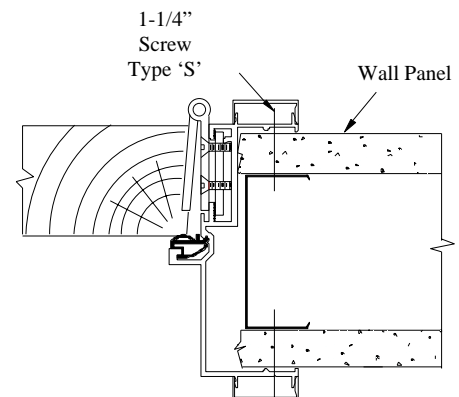
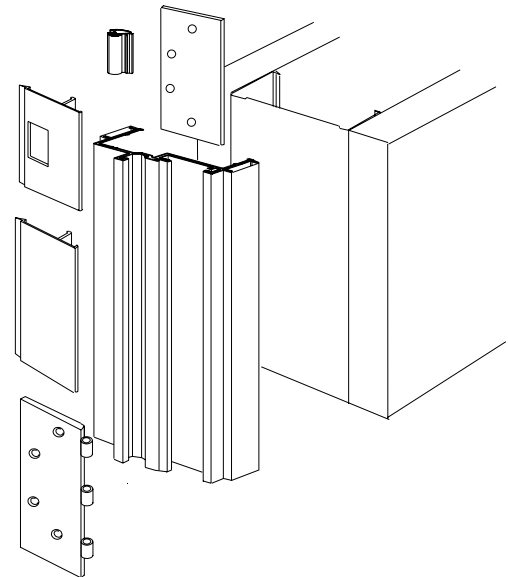
Installation of SMR[®] Delta Door Frame with Milled Snap-In Header

1) Each box contains frame set of the following:

<u>COMPONENT</u>	<u>QUANTITY PER FRAME</u>
Jamb	2
Header	1
Closure	2
Trim	4
Strike Plate	1
Hinge Backup Plate	3 (a)
Vinyl Door Mute (Factory Installed)	3
F- Clip	4

(a) add one Hinge Backup Plate for 7'6" height or greater.

- 2) Frames are fabricated to exact width specified and no clearance is built-in unless specifically requested.
- 3) Rough opening should be 1-5/8" wider than desired door width.
- 4) NOTE: Care is required in fastening panels to vertical Strut Runner to avoid exposure of screw heads after frame is installed.
- 5) Unpack frame and check packing list against contents.
- 6) Determine centerline of door at floor and head. Mark ceiling track for ends of Header when centered.
- 7) Determine high side of floor and cut Jambs to required height to compensate for any floor variation. Jambs are supplied approximately 1" over length to allow for field cutting to exact length.
- 8) Position Jambs equi-distant from centerline. Plumb hinge Jamb and secure to wall on one side only with 1-1/4" Type 'S' standard drywall screws. Screws should be spaced 2" maximum from both ends, at each butt location, and no greater than 12" o.c.



*Cut uppermost Closure per door hinge mortising and clearance requirements. Snap in Closure on both Jambs, then snap Header into ceiling track. Position both Jambs tight to Header. Plumb the strike Jamb and attach both Jambs to the wall.

9) Secure Jambs to ceiling track with F Clips, supplied.

10) The 1-3/4" door leaf should be mortised with a 5/16" backset. Shop mortising of leaf and shop installation of 4-1/2" hinges to the leaf is possible with this frame and is more economical than field mortising.

*11) After attaching the full hinges to door leaf, block door leaf to desired height above floor and with desired clearance at head. Snap Hinge Backup Plates into channel, as shown in "Installation of Backup Plate detail. Secure butts to Hinge Backup Plates using 1/2" x 12-24 screws. Use wax or soap on screws and No. 3 Phillips bit to avoid stripping screw heads. Secure OUTSIDE screws first. The door leaf can be adjusted up or down to desired position by loosening screws in Hinge Backup Plates. Tightening the screws locks the Hinge Backup Plates securely in place.

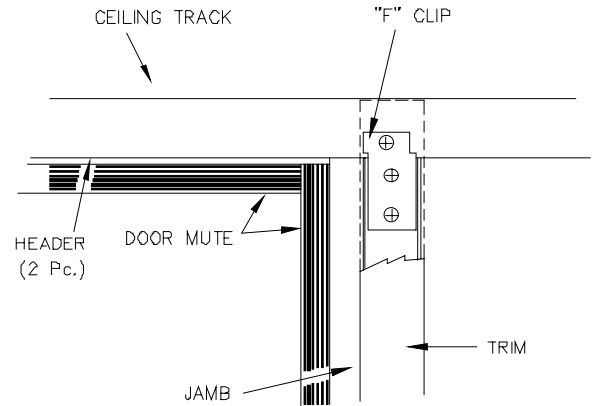
*12) Measure, cut and snap in Closure on hinge side.

*13) Establish centerline of strike and install Strike Plate, supplied. The Strike Plate accepts door hardware which complies with Federal Specifications No. 160 and 161. For other types of hardware installations, contact Modulex, div. of New Image Enterprises, Inc.

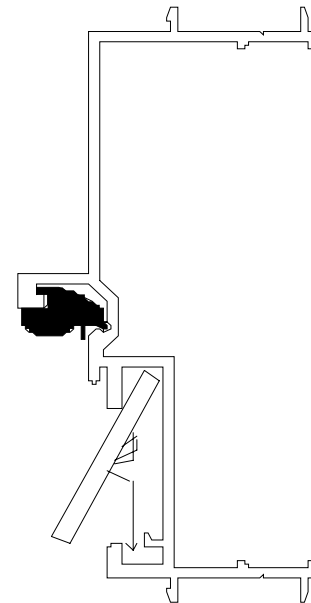
*14) With Strike Plate installed, measure, cut and snap in Closure on Strike side.

15) Trim for Jambs is supplied approximately 1" over length to allow for floor variations. Cut trim to required length and snap on Trim after door leaf is hung. Trim should fit snugly. If there is a tendency to rattle, give full length a slight twist before installing

16) If necessary to clean aluminum, use water with a mild detergent. No abrasive or caustic cleaning agent should be used.



SNAP - IN HEAD DETAIL



INSTALLATION OF BACKUP PLATE

*IF YOU HAVE SELECTED THE PRE-MORTISED ALTERNATIVE, THE HINGE BACK-UP PLATES, CLOSURE AND STRIKE PLATE HAVE BEEN FACTORY INSTALLED PER YOUR SPECIFICATIONS

SMR Delta Door Frames are protected by:
 U.S. Patent #3,287,856 as well as patents in other countries

RE-HANDING INSTRUCTIONS OF
SMR® ALUMINUM FRAMES

NOTE: It is not required to remove the Jamb from the wall to change hand of frame

1. Refer to ‘INSTALLATION OF SMR® DELTA DOOR FRAME WITH MILLED JAMB & MITERED TRIM’ & ‘INSTALLATION OF SMR® DELTA DOOR FRAME ASA STRIKE BACKER ASSEMBLY’ for drawings and additional information.
 2. Use extreme care not to damage the finish of the frame when removing components.
 3. Using a sharp edged putty knife (or similar too), insert the sharp edge of the tool between the Closure and Jamb along the face of the frame. Separate the Closure from the Jamb approximately 1/16” along the full length of the Closure.
 4. Once the full length of the closure has been separated in Step 3, separate the Closure further. Begin at one end, and separate the Closure to approximately ¼”, working you way along the length of the Closure again. When complete, the Closure will be “loose” but not “free”.
 5. Closure can now be removed from the Jamb with light to moderate force applied from a soft rubber hammer or other soft tool.
 6. Repeat Steps 3 through 5 for all Closure pieces on both the Strike Jamb and the Hinge Jamb.
 7. Remove the Strike Plate. (If the ASA Strike Backer Unit was provided, remove the lock manufacturer’s strike plate and the backer unit. See “INSTALLATION OF SMR® DELTA DOOR FRAME ASA STRIKE BACKER ASSEMBLY” and reverse steps for removal of backer unit.) To remove the MODULEX snap in Strike Plate, use a wood block and hammer. Place the wood block against the back edge of the lip of the strike at a 45 degree angle to the wall. Hit the block with a hard hammer blow. The retaining leg is two stepped, two hits may be necessary. Do not attempt to PRY the strike off.
 8. Remove Hinge Back Up Plates. See “INSTALLATION OF SMR® DELTA DOOR FRAME WITH MILLED JAMB & MITERED TRIM” and reverse steps for removal of back up plates.
 9. Hang door per the new handing and “INSTALLATION OF SMR® DELTA DOOR FRAME WITH MILLED JAMB & MITERED TRIM” Steps # 11 through 14, during this process, re-install all Closure removed in Steps 3 through 6.
-

SMR[®] Aluminum Door Frames and Glazing

SMR[®] Door Frames Notes & Specifications

Part 1: General

1.1 Scope- Furnish SMR[®] Aluminum Door and Window Frames as indicated on plans and specified hereunder.

1.2 Qualifications- All materials included herein, except as noted, shall be supplied by Modulex.

1.3 Submittals- Contractor shall submit shop drawings showing attachment to adjacent work and partitions for door/window openings as required.

1.4 Fire Ratings- SMR[®] Delta 20-minute rated aluminum door frame assembly with single or double sidelight. Door size not to exceed 48 x 120 inches when used with single (24 x 120 inch) sidelight; and 36 x 120 inch when used with double sidelight (24 x 120 maximum each side). SMR[®] Delta 20-minute rated aluminum door frame assembly not to exceed 48 x 120 for a single and 96 x 120 inches for a pair.

Part 2: Products

2.1 Materials

a. Door Frames- SMR[®] DELTA (two and three piece), (commercial clear, bronze and black anodized or painted aluminum). Self-mortising, non-handed, and reversible. Throat openings as required. All fasteners concealed except in finish hardware. Delta demountable with 100% salvageability, factory fabricated.

b. Windows/sidelight Frames- SMR[®] glazing sections (commercial clear, bronze and black anodized or painted aluminum). (* 3-3/8", 3-3/4", 4-7/8" as standard). Factory fabricated and complete per manufacturer's standard extrusion details. Glass furnished by others.

c. Frame Labels- shall be furnished as required by governing code bodies, State Fire Marshall and ICC, for 20 minute openings.

Part 3: Execution

3.1 Door/Window Frame Installation- Install into properly prepared partition openings, plumb square, level, and align with partition, in accordance with current printed directions with no exposed fasteners. Fit all joints accurately and snug, install steel corner clips at each corner, both sides of frame.

3.2 Cleanup- Clean door and window frames, if necessary, using mild soap and water. Do not use abrasive agents.

Notes to Architect

1. Door frame throat sizes available include 3-0/0", 3-1/4", *3-3/8", 3-1/2", 3-3/4", 4-5/8", 4-7/8", 5-1/8", 5-1/4", 5-3/8", 5-5/8", 6-1/4", 6-7/8", and 7-1/4".
2. Window wall sizes include: *3-3/8", 3-3/4" and 4-7/8", 3-0/0", 4-5/8", 5-1/4", 5-5/8", and 7-1/4"
3. Door width 1-3/4". Door-leaf mortise should leave 5/16" backset.
4. Standard packaging is one frame per carton, and one frame/sidelight or window frame per carton. Each door frame package includes detailed installation instructions.
5. Drawings are required showing elevation details and rough or inside opening dimensions for all door/window frame combinations and window frames.

Notice: We shall not be liable for incidental and consequential damages directly or indirectly sustained nor for any loss caused by application of these goods not in accordance with current printed instructions or for other than the intended use. Our liability is expressly limited to replacement of defective goods. Any claim shall be deemed waived unless made in writing to us within thirty (30) days from date it was or should have been reasonably discovered. Trademarks used herein are owned by NIE/Modulex. SMR[®] is registered at the U.S. Patent Office by NIE/Module.

SECTION 08120 - INTERIOR ALUMINUM FRAMES

PART 1 - GENERAL

1.1 SUMMARY

- A. Section Includes:
 - 1. Standard interior aluminum door frames and fixed window frames.
- B. Related Sections:
 - 1. Wood Doors: Elsewhere in Division 8.
 - 2. Door hardware: Elsewhere in Division 8.
 - 3. Glass and glazing: Elsewhere in Division 8.

1.2 REFERENCES

- A. ALUMINUM EXTRUSION MANUAL by the Aluminum Extrusion Council -- Recommended Alloys.
- B. ALCOA- Anodic Finish Designations.

1.3 SUBMITTALS

- A. Product Data: Submit manufacturer's printed product information indicating compliance with specified requirements.
- B. Shop Drawings: Submit drawings for fabrication and installation of interior aluminum frames, including the following information:
 - 1. Details of construction, joints, and connections.
 - 2. Details of each frame type, including anchorage.
 - 3. Elevations of each opening type.
 - 4. Conditions at openings, including coordination with glass and glazing requirements.
 - 5. Location and installation requirements of door hardware and reinforcements.
 - 6. Schedule of openings coordinated with numbering system used in contract documents.
- C. Quality Assurance Certification: Submit manufacturer's certification that products have been constructed and tested in full compliance with the ALUMINUM EXTRUSION MANUAL and ALCOA- Anodic Finish Designations.
- D. Samples - Initial Selection: Submit manufacturer's color selections of actual materials

including standard colors & finishes available.

1.4 QUALITY ASSURANCE

- A. Quality Standard: Comply with the ALUMINUM EXTRUSION MANUAL and the ALCOA- Anodic Finish Designations.
- B. Labeled Assemblies: At all locations where fire-rated door and frame assemblies are required, provide assemblies which comply with NFPA 80 and have been tested and labeled in accordance with ASTM E 152 by agency acceptable to governing authorities. All frames and doors shall have UL, ICC ES, I.C.B.O., Warnock Hersey, Factory Mutual, or California State Fire Marshal Label.
- C. Coordination: Transmit copy of final shop drawings to wood door manufacturer to allow prefitting of wood doors to aluminum frames.

1.5 DELIVERY, STORAGE, AND HANDLING

- A. Deliver products in crates or cartons suitable for storage at the site.
- B. Replace items damaged in delivery, unless damage is minor and can be repaired to match intact items, as determined by Architect.
- C. Store products under cover, raised above ground level, and stacked to prevent warping and to promote air circulation.
 - 1. Prevent moisture from accumulating and remove saturated packaging before products can be damaged.

PART 2 - PRODUCTS

2.1 MANUFACTURERS

- A. Manufacturers: Products of the following manufacturers, provided they comply with requirements of the contract documents, will be among those considered acceptable: 1.

Modulex Inc.
4944 Boylan St
Bakersfield, Ca 93308
T 661.323.3760 F 661.322.6714

2.2 MATERIALS

- A. Extrusion Alloy: 6063 T5
- B. Finishes: Commercial Clear Anodized #AAM10 C22 A21, Bronze Anodized #AAM10

C22 A24, or as selected by the Architect.

2.3 FABRICATION

- A. General: Factory-fabricate assemblies to greatest extent possible, assuring that installed units will be without warp, twist, bow, or other defect in appearance or function.
- B. Hardware Preparation: Comply with DHI A115 series specifications for door and frame preparation, using final hardware schedule and templates from hardware supplier.
 - 1. Reinforcement: Reinforce frames for field-installed exposed hardware items. Provide frames non-handed, Self Mortising and Reversible, for placement of Hinges and Strike Plates in the field.
 - 2. Locations: Comply with final shop drawings and approved wood door submittals.

2.4 ALUMINUM FRAMES

- A. General: Fabricate frames for scheduled openings, in standard manufacturer's styles and profiles, as shown, using concealed fasteners.
 - 1. Minimum Frame Extrusion Wall Thickness: .080".
 - 2. Construction: Base Frame, butt-jointed. Trim to be mitered with hair-line seam.
- B. Door Mute: Provide heavy duty Vinyl Mute at all door frames.
- C. Glazing Bead: Provide heavy duty Vinyl Glazing Bead, one side of glass, to accommodate 1/4" or 3/8" glass.

PART 3 - EXECUTION

3.1 INSTALLATION

- A. General: Install aluminum frames and accessories to comply with manufacturer's recommendations.
 - 1. Comply with detailed installation requirements of final shop drawings.
- B. Frame Installation:
 - 1. General: Adhere to manufacturer's recommendations.
 - 2. Place pre-finished frames after wall finishing is complete, braced securely to achieve plumb, planar installation. Remove braces after anchorages have achieved final set, leaving frames in smooth, undamaged condition.
 - 3. Anchors: Use screws, per manufacturers standard installation instruction, for secure attachment to wall conditions.
 - 4. Fire-rated openings: Comply with manufacturer's requirements and requirements of NFPA 80.

3.2 ADJUST AND CLEAN

- A. Clean-Up: Clean frames, if necessary, using mild soap and water. Use NO abrasive agents.
- B. Final Operating Adjustments: Check hardware at all openings for proper operation of doors, making final corrections as required to assure that work of this section is complete and undamaged.

END OF SECTION 08120

IMPORTANT INFORMATION

ORDERS

- All orders are subject to acceptance at our Customer Order Center:
Phone: 661-323-3760
- All orders must be confirmed in writing prior to order processing and shipment. Forward orders to

Modulex
4944 Boylan St
Bakersfield, Ca 93308
Attn: Customer Order Desk
Fax: 661-322-6714

STANDARD COMPONENTS

- The items shown in this price list are the “standard” components for the Modulex Door and Window Frame System. Other sizes and colors are considered “special” and are subject to conditions listed under “special components”.

SPECIAL COMPONENTS

- Components not shown in this price list are considered “special”. Contact Modulex for information regarding availability and a “Special Material Quote”.
- When ordering “special components”, please reference your Special material Quote number.
- All special colors are subject to review and acceptance by Modulex. Lead times do not begin until receipt of approved match.

OVER RUNS

- All “special” components are subject to a +/- 10% shipping tolerance.

LEAD TIMES

- Lead times may vary, consult factory for currently quoted lead times.

FULL CARTON QUANTITIES

- Prices are based on full carton quantities only, except where noted. A \$10.00 charge will be assessed on all broken carton, boxes or bundles.

DOOR FRAME HARDWARE

PREPARATIONS

- SMR[®] Door Frames are self-mortising. Factory-mortised SMR[®] Door Frames may be ordered on a “special” basis. Hardware location and preparation drawings must be provided. Lead time for factory-mortised frames does not begin until receipt of approved hardware drawings.

FREIGHT

- Prices shown in this list are F.O.B. shipping point. Modulex will not be held responsible for loss or damage of goods suffered in transit.

MATERIAL RETURNS

- Material returns are subject to prior written approval. Modulex will not be responsible for any damage in transit on material returned at customer’s request and will not file any freight claims on such damaged goods. Freight expense to factory is buyer’s responsibility.
- Non-standard, non-stock material may not be returned for credit.

CHANGES TO AN ORDER

- Changes to an order are subject to Seller’s approval, and can affect ship date.

ORDER CANCELLATION


- Cancellation of an order will result in a cancellation charge equal to 25% of the net order price or Seller’s actual cost incurred as a result of the cancellation, whichever is greater.

PAYMENT TERMS

- Net 30 days, for approved credit.

Trademarks: The following trademark used herein is owned by Modulex SMR[®]

FRAME ORDER FORM

					ORDER DATE: _____					P.O. #: _____										
					SOLD TO: NAME _____ ADDRESS _____ CITY _____ ST. _____ ZIP _____ CONTACT _____ PHONE _____ FAX _____					SHIP TO: NAME _____ ADDRESS _____ CITY, ST, ZIP _____ CONTACT _____ PHONE _____										
MODULEX BILL OF MATERIALS	ELEV. NO.	QTY.	WALL SIZE (inches)x(fract)		FINISH	Fire Rating	DOOR SIZE WIDTH X HEIGHT (feet/inches)x(feet/inches)				GLAZING SIZE I.D.WIDTH X I.D. HEIGHT (feet/inches)x(feet/inches) (ATTACH DRAWING)				TRIM STYLE	PRE-MORTISE HANDLING (CHART REQ)	STRIKE PREP.	HINGE PREP	CUT	MARK NUMBERS
Modulex Use Only	A	3	4	7/8	Clear	20 Min	3	0	8	0	1	6	8	0	1 1/2"	SMR	SP234	445	X	1, 2, 3
	Sample																			
NOTES:																				

INSTRUCTIONS:

1. ELEV. - Drawing elevation number for reference.
2. QTY. - Quantity of line item ordered.
3. WALL SIZE - Use one of the following choices:
3 0/0, 3 1/4, 3 1/2, 3 3/4, 4 5/8, 4 7/8, 5 1/4, 5 3/8, 5 5/8, 6 1/4, 6 7/8, 7 1/4
4. FINISH - Use one of the following choices:
CLEAR (anodized)
BRONZE (anodized)
5. FIRE RATING - Specify 20 Min Neg or Pos Pressure. Will be Non Rated if not noted.
6. DOOR SIZE - Standard / nominal door call out size.
7. GLAZING SIZE - Inside dimension of finished glazing opening.
ATTACH DRAWINGS OF ALL GLAZING UNITS!!!


8. TRIM STYLE
1", 1 1/2", 2"
9. PREMORTISE HANDLING - Use one of the following:
SMR - Non-handed for field mortising.
RH - Butt-to-butt right hand swing.
LH - Butt-to-butt left hand swing.
RHR - Butt-to-butt right hand reverse swing.
LHR - Butt-to-butt left hand reverse swing.
PAIR - Pair of doors.

10. STRIKE PREP. - Use one of the following choices:
SP234 - 2 3/4" snap in strike plate for cylindrical locks.
ASA - Backer for standard ASA lock mfg. strike plate.
11. HINGE PREP. - Use one of the following choices:
PER DOOR LEAF - 5/16" DOOR BACKSET REQUIRED!!!!
345 - 3 each 4 1/2" standard template hinge (.134 thickness)
445 - 4 each 4 1/2" standard template hinge (.134 thickness)
12. CUT - Place an "X" for material CUT NET height.(No Scribe).
If not marked, material will be provided with 1" Scribe.
13. MARK NUMBER - I.D. number to appear on item box label.

SUPPLY HARDWARE LOCATIONS or Provide Manufacturer Location Name

HARDWARE LOCATION CHART	From inside top of frame; to top of each hinge and centerline of strike plate				
1st	2nd	3rd	4th	Centerline	
Hinge	Hinge	Hinge	Hinge	Strike Plate	

FRAME ORDER FORM

					ORDER DATE: _____					P.O. #: _____							
					SOLD TO: NAME _____ ADDRESS _____ CITY _____ ST. _____ ZIP _____ CONTACT _____ PHONE _____ FAX _____					SHIP TO: NAME _____ ADDRESS _____ CITY, ST, ZIP _____ CONTACT _____ PHONE _____							
MODULEX BILL OF MATERIALS	ELEV. NO.	QTY.	WALL SIZE (inches)x(fract)	FINISH	Fire Rating	DOOR SIZE WIDTH X HEIGHT (feet/inches)x(feet/inches)			GLAZING SIZE I.D.WIDTH X I.D. HEIGHT (feet/inches)x(feet/inches) (ATTACH DRAWING)			TRIM STYLE	PRE-MORTISE HANDING (CHART REQ)	STRIKE PREP.	HINGE PREP	CUT	MARK NUMBERS
NOTES:																	

INSTRUCTIONS:

1. ELEV. - Drawing elevation number for reference.
2. QTY. - Quantity of line item ordered.
3. WALL SIZE - Use one of the following choices:
3 0/0, 3 1/4, 3 1/2, 3 3/4, 4 5/8, 4 7/8, 5 1/4, 5 3/8, 5 5/8, 6 1/4, 6 7/8, 7 1/4
4. FINISH - Use one of the following choices:
CLEAR (anodized)
BRONZE (anodized)
5. FIRE RATING - Specify 20 Min Neg or Pos Pressure. Will be Non Rated if not noted.
6. DOOR SIZE - Standard / nominal door call out size.
7. GLAZING SIZE - Inside dimension of finished glazing opening.

ATTACH DRAWINGS OF ALL GLAZING UNITS!!!

8. TRIM STYLE
1", 1 1/2", 2"
9. PREMORTISE HANDING - Use one of the following:
SMR - Non-handed for field mortising.
RH - Butt-to-butt right hand swing.
LH - Butt-to-butt left hand swing.
RHR - Butt-to-butt right hand reverse swing.
LHR - Butt-to-butt left hand reverse swing.
PAIR - Pair of doors.

10. STRIKE PREP. - Use one of the following choices:
SP234 - 2 3/4" snap in strike plate for cylindrical locks.
ASA - Backer for standard ASA lock mfg. strike plate.
11. HINGE PREP. - Use one of the following choices:
PER DOOR LEAF - 5/16" DOOR BACKSET REQUIRED!!!!
345 - 3 each 4 1/2" standard template hinge (.134 thickness)
445 - 4 each 4 1/2" standard template hinge (.134 thickness)
12. CUT - Place an "X" for material CUT NET in height.(No Scribe).
If not marked, material will be provided with 1" Scribe.
13. MARK NUMBER - I.D. number to appear on item box label.

SUPPLY HARDWARE LOCATIONS or Provide Manufacturer Location Name

HARDWARE LOCATION CHART	From inside top of frame; to top of each hinge and centerline of strike plate				
1st	2nd	3rd	4th	Centerline	
Hinge	Hinge	Hinge	Hinge	Strike Plate	

COMPONENTS INDEX

SMR® ALUMINUM FRAME ACCESSORIES

CASED JAMB
CEILING RUNNER
CEILING TRACK
CLOSURE
CORNER FILLER
GLASS STOP
GLAZING BASE
GLAZING BASE CHANNEL
GLAZING BASE SNAP-IN
GLAZING BASE UNIT
GLAZING CHANNEL
H SECTION
HEADER – 2PC (SNAP-IN)
HEADER – 3PC (STANDARD)
HEADER UNIT – 2PC (SNAP-IN)
HEADER UNIT – 3PC (STANDARD)
INSIDE CORNER
JAMB
OUTSIDE CORNER
OUTSIDE CORNER - 135°
RAIL COVER
SIDELIGHT GLAZING (200 SERIES)
SIDELIGHT GLAZING (300 SERIES)
SNAP-IN GLAZING
TEG-2 (TAPABLE TOP TRACK)
TRANSOM GLAZING
TRIM CLIP

SMR® ALUMINUM FRAME ACCESSORIES

FULL FACE TRIM – PERIMETER
FULL FACE TRIM – MULLION
FULL FACE TRIM – GLAZING
PERIMETER TRIM
PERIMETER TRIM SET – 3PC
RADIUS TRIM
TRIM
TRIM SET – 2PC
TRIM SET – 3PC

MISCELLANEOUS ACCESSORIES

ASA STRIKE BACKER UNIT
STRIKE PLATE – 2-3/4”
SPRAY PAINT

SMR® STEEL FRAME ACCESSORIES

CORNER CLIP
“F” CLIP
HINGE BACK UP PLATE

SMR® VINYL FRAME ACCESSORIES

VINYL DOOR MUTE
VINYL GLAZING BEAD – LARGE
VINYL GLAZING BEAD – SMALL